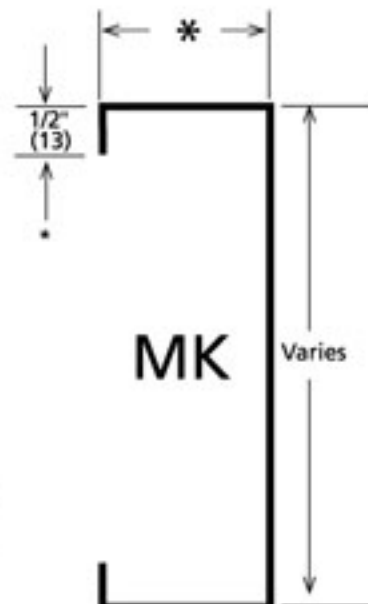
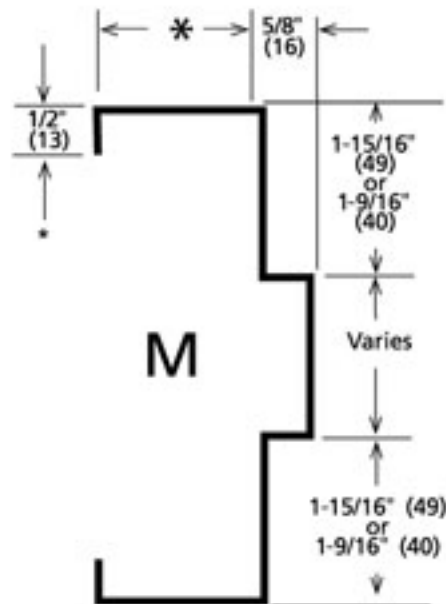
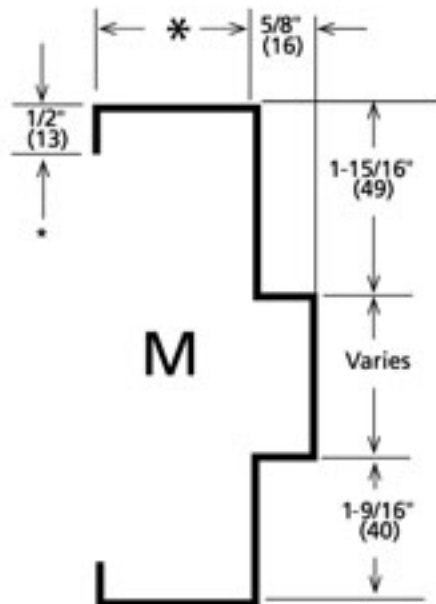
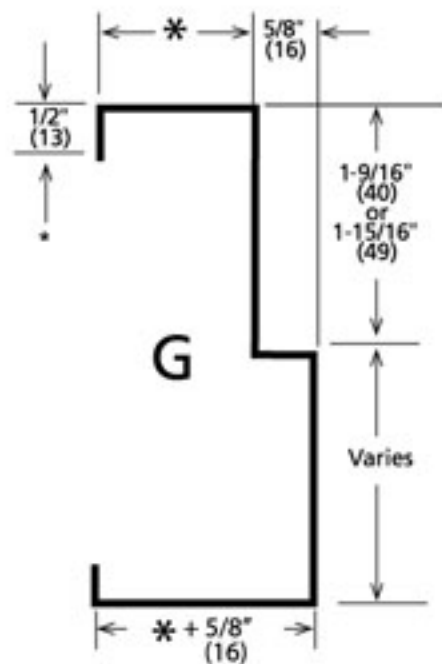


* 1" (25) through 4" (102) in 1/8" (3) increments



Flush KD
Gauge 18-16-14
Jamb depth 3" (76)
through 14" (356)

Flush KD
Gauge 18-16-14
Unequal rabbet
Jamb depth 4-1/2" (114)
through 14" (356)

Flush KD
Gauge 18-16-14
Equal rabbet
Jamb depth 4-7/8" (124)
through 14" (356)

Flush KD
Gauge 18-16-14
Jamb depth 3" (76)
through 14" (356)

NOTE: 5-3/4" (146) jamb-depth frames have 7/16" (11) back bend.