

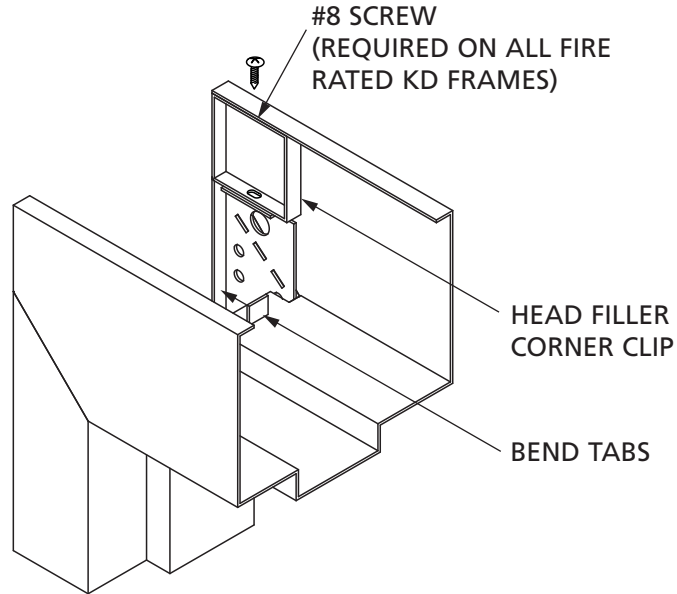
USING THE BREAK-OFF TOOL, BEND  
CLIP BACK AND FORTH TOWARD  
OPPOSITE FACE OF FRAME.  
DO NOT BEND PAST THE OUTSIDE  
FACE TO AVOID DEFORMING THE FACE.

**NOTE:** USING PLIERS TO BREAK OFF  
THE CORNER CLIP MAY RESULT IN  
DAMAGE TO THE FACE OF FRAME

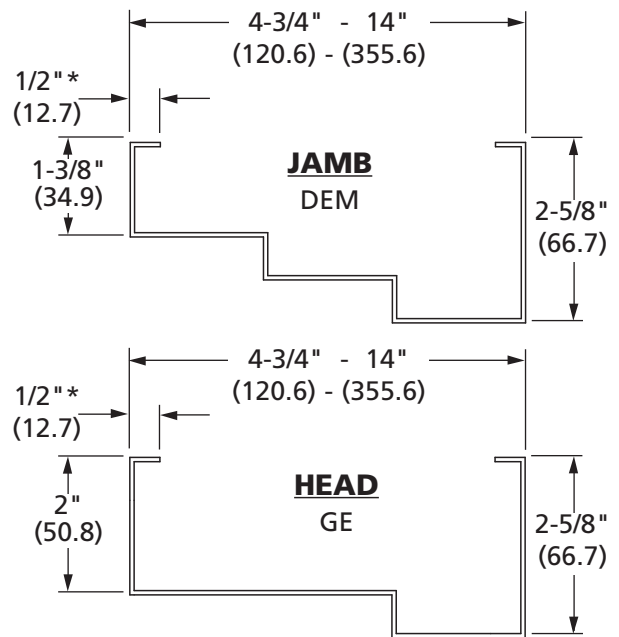
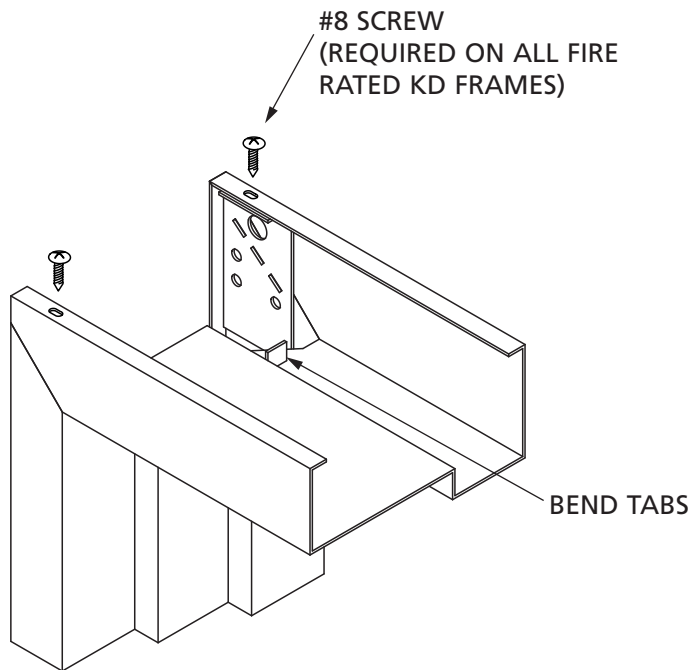
# 2 Masonry KD 4" Face Head FRAME TECHNICAL DATA

April 1, 2002

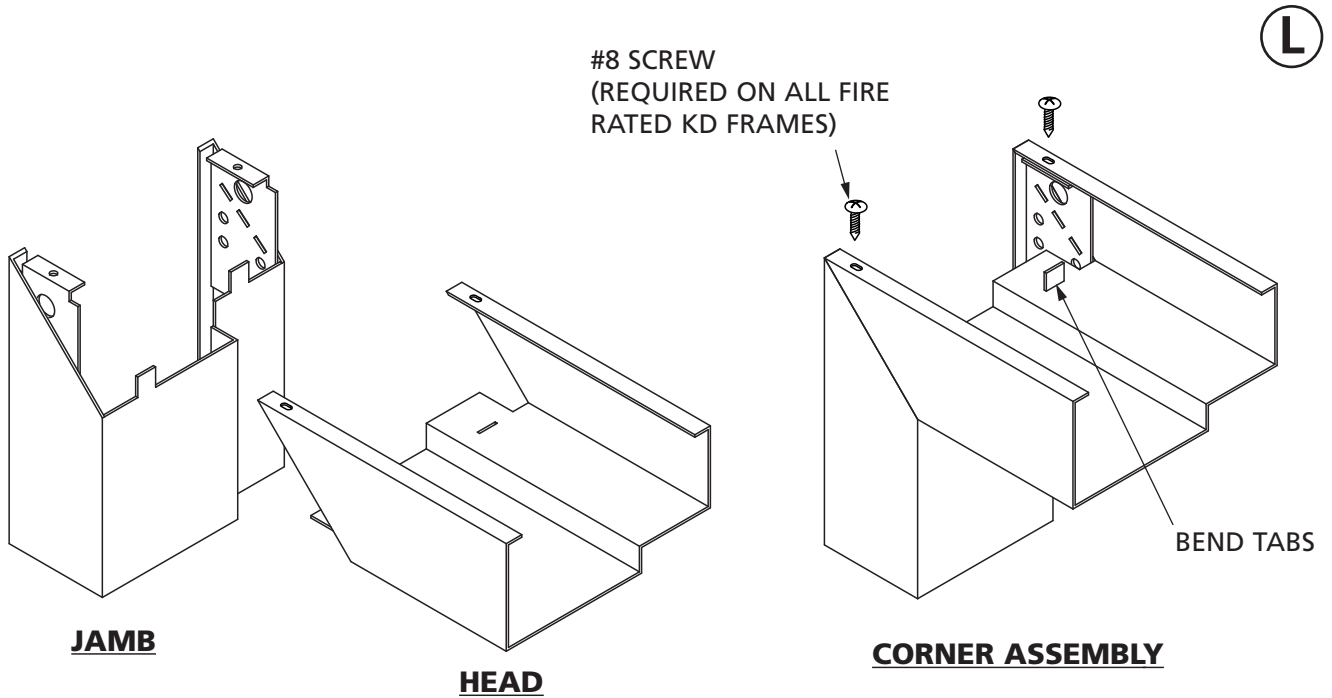
ASSA ABLOY, the global leader  
in door opening solutions



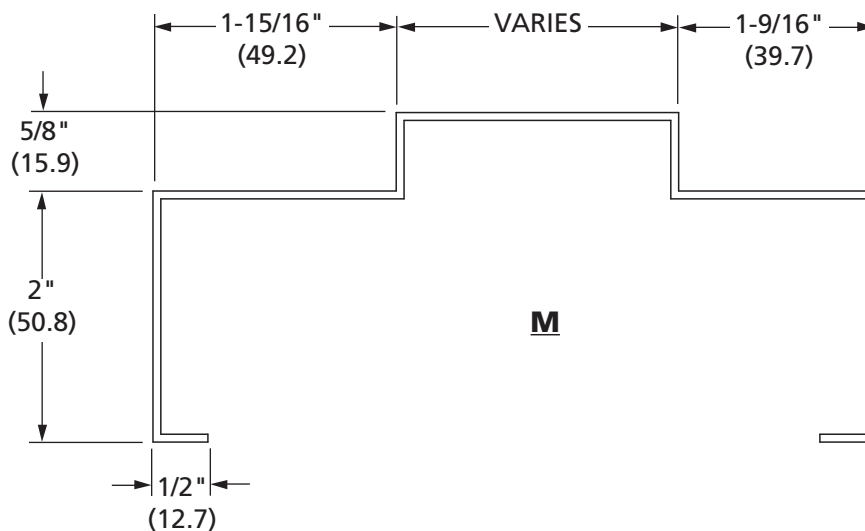
## Masonry KD Double Egress Frame



\* 5-3/4" (146.1) JAMB DEPTH HAS 7/16" (11.1) RETURN



**Masonry KD 2" Face Flush Frame Unequal Rabbet**



KD "M" TYPE FLUSH  
GAUGE - 18 GA. (1.2), 16 GA. (1.4), 14 GA. (1.9)  
VARIABLE SOFFIT  
JAMB DEPTH 4-1/2" (114.3) THRU 14" (355.6) (1/8"(3.2) INCREMENTS)  
AVAILABLE WITH 4" (101.6) FACE HEADS  
**NOTE:** 5-3/4" (146.1) JAMB DEPTH STANDARD WITH 7/16" (11.1) RETURNS  
TO PROVIDE 4-7/8" (123.8) THROAT OPENING

# 4

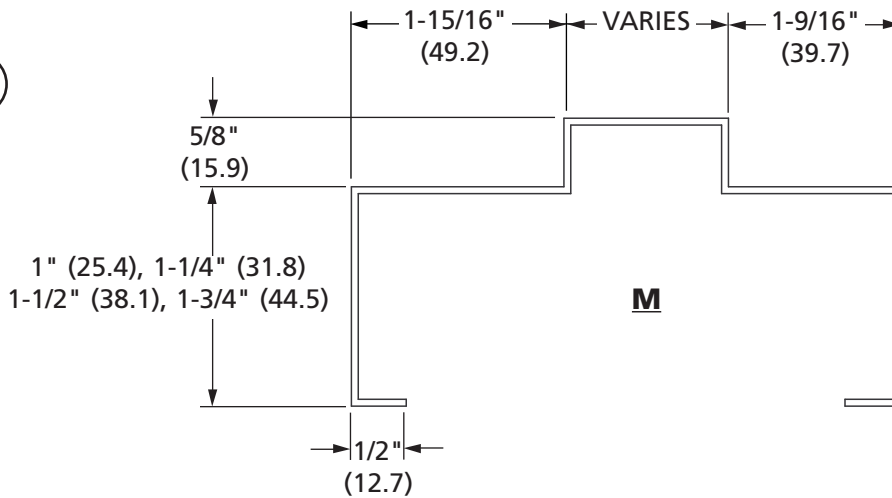
## Masonry 1", 1-1/4", 1-1/2", 1-3/4", Face Flush KD Frame Unequal Rabbet



ASSA ABLOY, the global leader in door opening solutions

### FRAME TECHNICAL DATA

April 1, 2002



KD "M" TYPE FLUSH

GAUGE - 18 GA. (1.2), 16 GA. (1.4), 14 GA. (1.9)

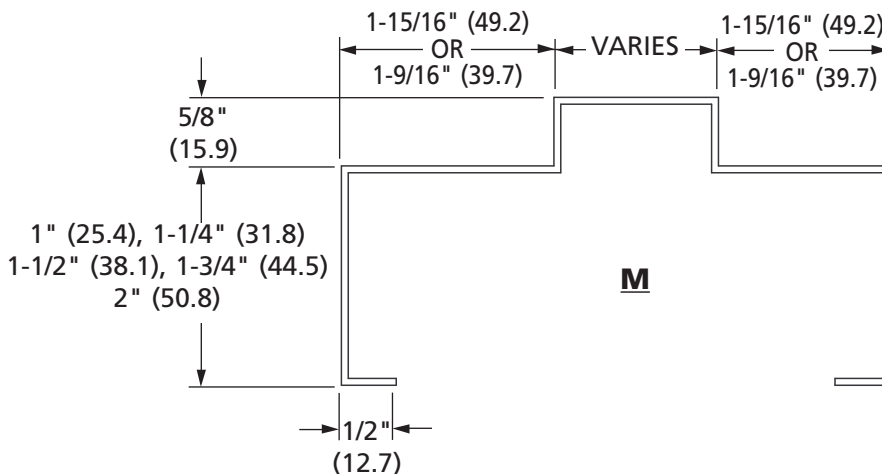
VARIABLE SOFFIT

JAMB DEPTH 4-1/2" (114.3) THRU 14" (355.6) (1/8" (3.2) INCREMENTS)

NOT AVAILABLE WITH 4" (101.6) FACE HEADS

**NOTE:** WHEN CCW MATERIAL IS USED IN CONJUNCTION WITH ABOVE, COORDINATE RABBET AND FACE DIMENSIONS 5-3/4" (146.1) JAMB DEPTH STANDARD WITH 7/16" (11.1) RETURNS TO PROVIDE 4-7/8" (123.8) THROAT OPENING.

## Masonry Flush KD Frame Equal Rabbet



KD "M" TYPE FLUSH

GAUGE - 18 GA. (1.2), 16 GA. (1.4), 14 GA. (1.9)

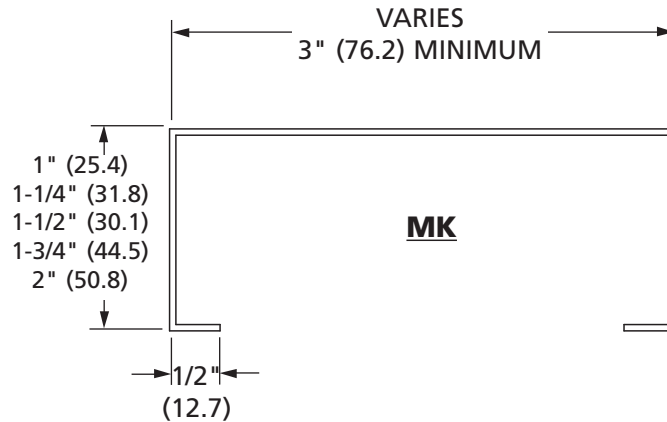
VARIABLE SOFFIT

JAMB DEPTH 4-7/8" (114.3) THRU 14" (355.6) (1/8" (3.2) INCREMENTS)

AVAILABLE WITH 4" (101.6) FACE HEADS WITH 2" FACE JAMBS ONLY

**NOTE:** WHEN CCW MATERIAL IS USED IN CONJUNCTION WITH ABOVE, COORDINATE RABBET AND FACE DIMENSIONS. 5-3/4" (146.1) JAMB DEPTH STANDARD WITH 7/16" (11.1) RETURNS TO PROVIDE 4-7/8" (123.8) THROAT OPENING.

April 1, 2002



(L)\*

**KD "MK" TYPE FLUSH**

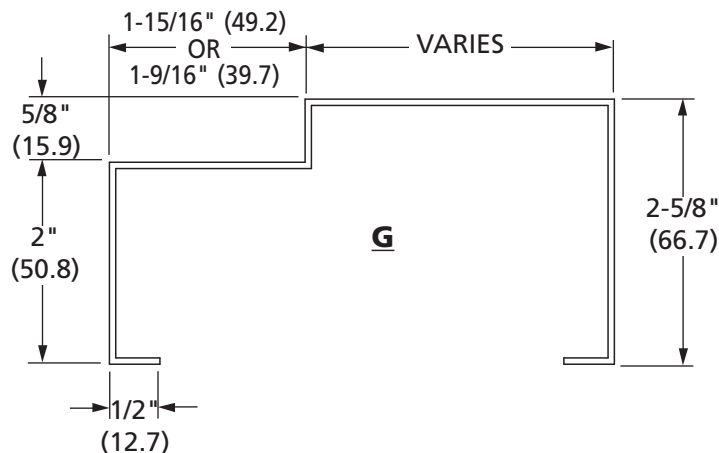
GAUGE - 18 GA. (1.2), 16 GA. (1.4), 14 GA. (1.9)

JAMB DEPTH 3" (76.2) THRU 14" (355.6) (1/8" (3.2) INCREMENTS)

**NOTE:** AVAILABLE WITH 4" (101.6) FACE HEAD WITH 4-1/2" (114.3) MINIMUM JAMB DEPTH  
5-3/4" (146.1) JAMB DEPTH STANDARD WITH 7/16" (11.1) RETURNS  
TO PROVIDE 4-7/8" (123.8) THROAT OPENING.

\* TOTAL DOOR ONLY MAY BE LABELED

**Masonry Flush KD "G" Profile Frame**



(L)

**KD "G" TYPE FLUSH**

GAUGE - 18 GA. (1.2), 16 GA. (1.4), 14 GA. (1.9)

JAMB DEPTH 3" (76.2) THRU 14" (355.6) (1/8" (3.2) INCREMENTS)

MIN. 4" JAMB DEPTH FOR LABELED FRAME WITH 1-15/16" RABBET AND  
3-1/4" JAMB DEPTH FOR 1-9/16" RABBET.

**NOTE:** 2" (50.8) AND 2-5/8" (66.7) FACE ON JAMBS  
AVAILABLE WITH 4" (101.6) FACE HEAD WITH 4-1/2" (114.3) MINIMUM JAMB DEPTH.  
5-3/4" (146.1) JAMB DEPTH STANDARD WITH 7/16" (11.1) RETURNS  
TO PROVIDE 4-7/8" (123.8) THROAT OPENING.