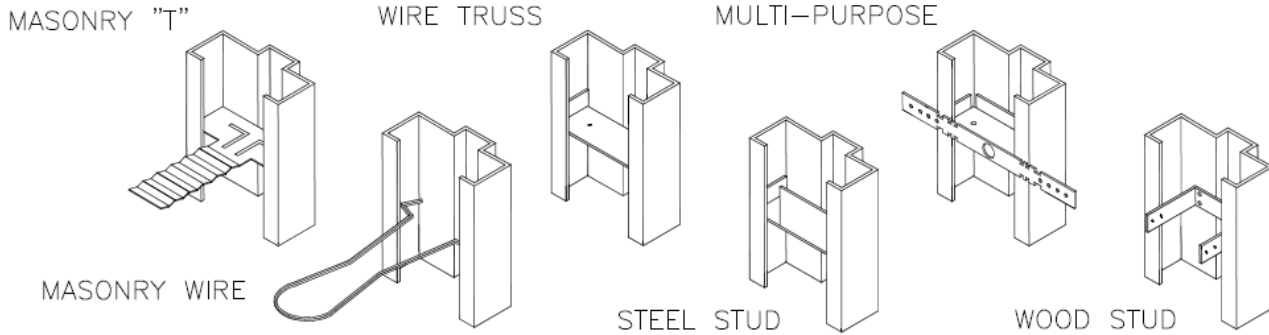


LOOSE ANCHOR INSTALLATION INSTRUCTIONS FOR FIRE DOOR FRAMES



A slip-in type anchor must be used for each 30" of jamb height or fraction thereof. Locate an anchor immediately above or below each hinge reinforcement in the hinge jamb. On the strike jamb, locate an anchor directly opposite the hinge jamb anchor.

Base anchors are not required on frames that have been provided with an additional anchor located near the bottom of the frame. All other frame-anchor combinations must have a welded-in base anchor.

Anchor attachment methods include slip-in friction fit or welded (eg – TIG, arc, or MIG) to frame in proper locations.

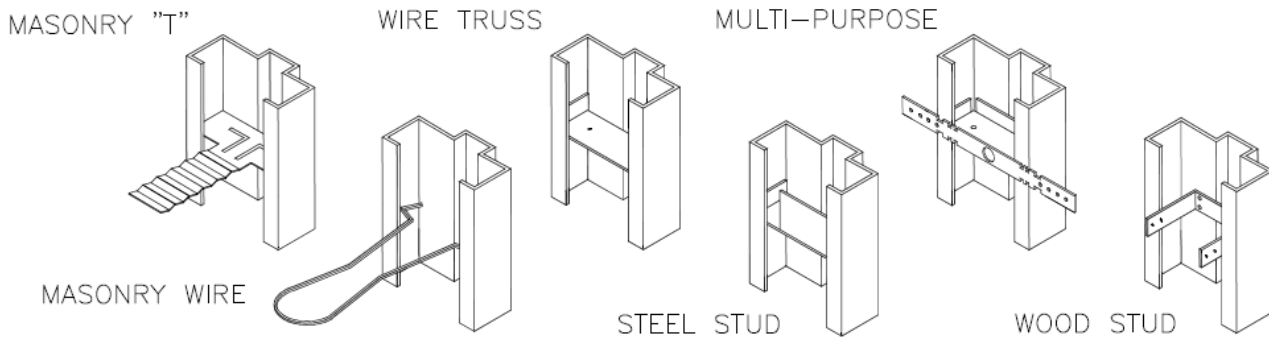


4/26/10

1 of 1

E-C-075-0150 rev 1

LOOSE ANCHOR INSTALLATION INSTRUCTIONS FOR FIRE DOOR FRAMES



A slip-in type anchor must be used for each 30" of jamb height or fraction thereof. Locate an anchor immediately above or below each hinge reinforcement in the hinge jamb. On the strike jamb, locate an anchor directly opposite the hinge jamb anchor.

Base anchors are not required on frames that have been provided with an additional anchor located near the bottom of the frame. All other frame-anchor combinations must have a welded-in base anchor.

Anchor attachment methods include slip-in friction fit or welded (eg – TIG, arc, or MIG) to frame in proper locations.



4/26/10

1 of 1

E-C-075-0150 rev 1