

SOUND DOOR ASSEMBLY INSTALLATION INSTRUCTIONS

**SOUND TECH EXPRESS
QUIET NOISE**

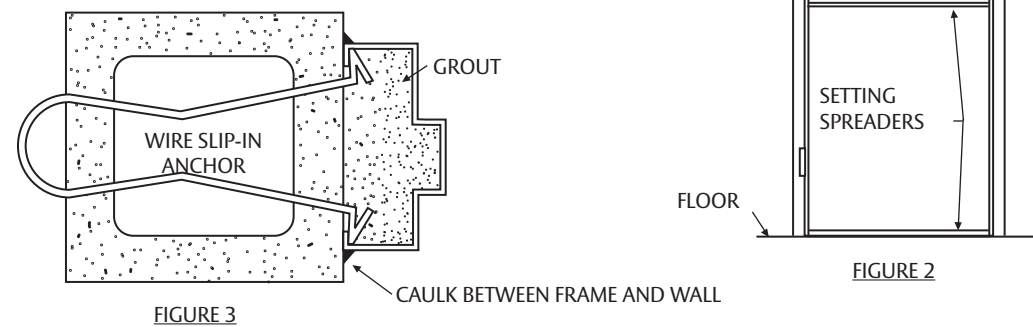
**IMPORTANT
READ BEFORE PROCEEDING**

ASSA ABLOY

The global leader in door
opening solutions

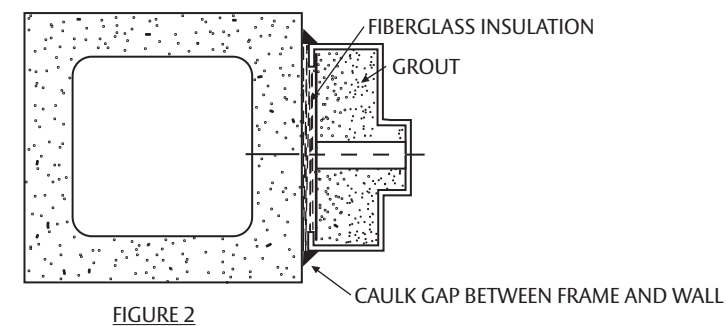
Masonry Wire Anchor

1. INSTALL MASONRY FRAME BY ANCHORING TO FLOOR WITH FOOT CLIPS (FIGURE 2).
2. FILL FRAME FULL WITH MORTAR WHILE BUILDING WALL (FIGURE 3).
3. CAULK BETWEEN FRAME AND WALL (FIGURE 3).



Welded Pipe Spacer Existing Opening Anchor

1. GROUT IN THE THROAT OF THE FRAME TO FULL DEPTH (BY OTHERS).
2. SLIDE FRAME INTO PLACE AND SECURE ANCHORS.
3. FILL ANY VOIDS BETWEEN FRAME AND WALL WITH 12 LB. DENSITY FIBERGLASS INSULATION (BY OTHERS).
4. CAULK BETWEEN FRAME AND WALL (FIGURE 2).



Seal Installation Instructions (Acoustic Products)

(STC 32, 38, 41, 43 SINGLES INSTRUCTIONS ARE SIMILAR EXCEPT SPRING SEAL AND DOOR BOTTOMS ARE OMITTED)
NOTE: FINISH COAT OF PAINT MUST BE COMPLETELY CURED BEFORE INSTALLING ANY SEALS.

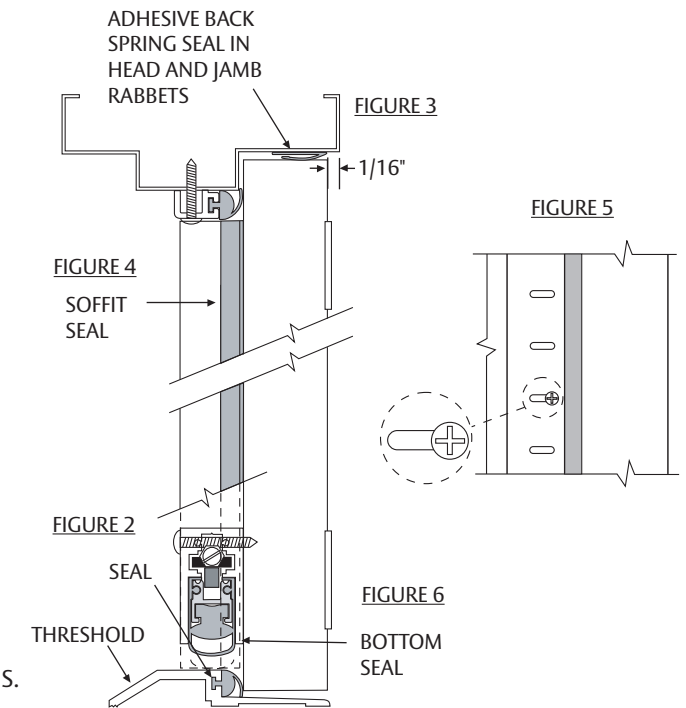
1. HANG THE DOOR.
2. NOTCH THRESHOLD AS REQUIRED FOR STOP. SET THRESHOLD IN PLACE. WITH DOOR CLOSED, LATCHED POSITION, PLACE SEAL ON THRESHOLD AGAINST DOOR FACE (DO NOT COMPRESS BULB). DRILL FOR MOUNTING SCREWS. INSTALL SCREWS. (FIGURE 2)
3. WITH DOOR IN THE CLOSED AND LATCHED POSITION, PLACE THE SEAL ON THE HEAD SOFFIT FIRST, HINGE SECOND, LOCK THIRD, SO THAT THE BULB IS JUST TOUCHING THE DOOR. THE BULB SHOULD NOT BE COMPRESSED AT ALL. EXTEND THE SEAL TO THRESHOLD. (FIGURE 4)
4. MOUNT THE SOFFIT SEAL IN THIS POSITION BY PLACING THE SCREWS IN THE END OF THE SEAL HOLDER SLOTS NEAREST TO THE DOOR (FIGURE 5).
5. WITH THE DOOR IN THE CLOSED AND LATCHED POSITION, SLIDE THE SEAL TOWARD THE DOOR UNTIL THE BULB MAKES CONTACT WITH THE DOOR. TIGHTEN THE SCREWS TO SECURE THE SEAL IN PLACE AS YOU MOVE AROUND THE PERIMETER.

NOTE: STC 41 PAIRS WILL INCLUDE A MEETING EDGE ASTRAGAL. INSTALL PER MANUFACTURERS INSTALLATION INSTRUCTIONS.

6. *INSTALL DOOR BOTTOM AS FOLLOWS. (FIGURE 6)
 - A. CUT DOOR BOTTOM FOR WIDTH TO FIT BETWEEN SOFFIT SEALS ON HINGE AND STRIKE JAMBS. ALLOW 1/8" CLEARANCE IN WIDTH (NARROW).
 - B. SHUT AND LATCH DOOR.
 - C. PLACE 1/4" THICK SHIMS ON THRESHOLD
 - D. ADJUST BOTTOM SEAL BY TURNING ADJUSTING SCREW CLOCKWISE TO MAKE SEAL RETREAT INTO BODY OF DOOR BOTTOM.
 - E. SET DOOR BOTTOM ON 1/4" SHIMS AND MARK SCREW HOLES.
 - F. ATTACH DOOR BOTTOM TO DOOR WITH SCREWS PROVIDED.
 - G. REMOVE SHIMS AND ADJUST DOOR BOTTOM SEAL TO FIRST TOUCH THE THRESHOLD. DO NOT OVER TIGHTEN AS THIS WILL CAUSE BENDING OF THE DOOR BOTTOM AND THRESHOLD.
7. CLOSE THE DOOR SEVERAL TIMES AND RECHECK THE ADJUSTMENT OF THE SEALS WITH A THIN PLASTIC CARD (SUCH AS A CREDIT CARD). INSERT THE CARD BETWEEN THE DOOR AND THE SEAL. THE CARD SHOULD NOT FALL OUT UNDER ITS OWN WEIGHT AT ANY POINT ALONG THE PERIMETER. HOWEVER, IT SHOULD NOT BE DIFFICULT AT ALL TO REMOVE. FINAL ADJUSTMENTS MUST BE MADE CAREFULLY TO AVOID ANY SOUND LEAKS. AFTER FINAL ADJUSTMENTS, DRILL AND INSTALL SEVERAL SCREWS BETWEEN THE SLOTTED HOLES TO HOLD THE SEAL IN PLACE (FIGURE 7).

8. *INSTALL ADHESIVE BACK SPRING SEAL FIRST ON HEAD JAMB RABBET, AND THEN ON BOTH JAMB RABBETS. (FIGURE 3)

* REQUIRED FOR STC 41 PAIRS AND STC 46 SINGLES ONLY.



Visit our websites at:
www.curries.com and www.cecodoor.com