

“N” Profile – Slip-on “Nailer” Frame

Frame Specifications and Information

- Cold Rolled or A60
- 18, 16 and 14 gauge available
- Custom wall thickness
- Fire rated up to 90 minutes
- Mechanical interlocking corners
- Optional welded corners
- Compression anchors available

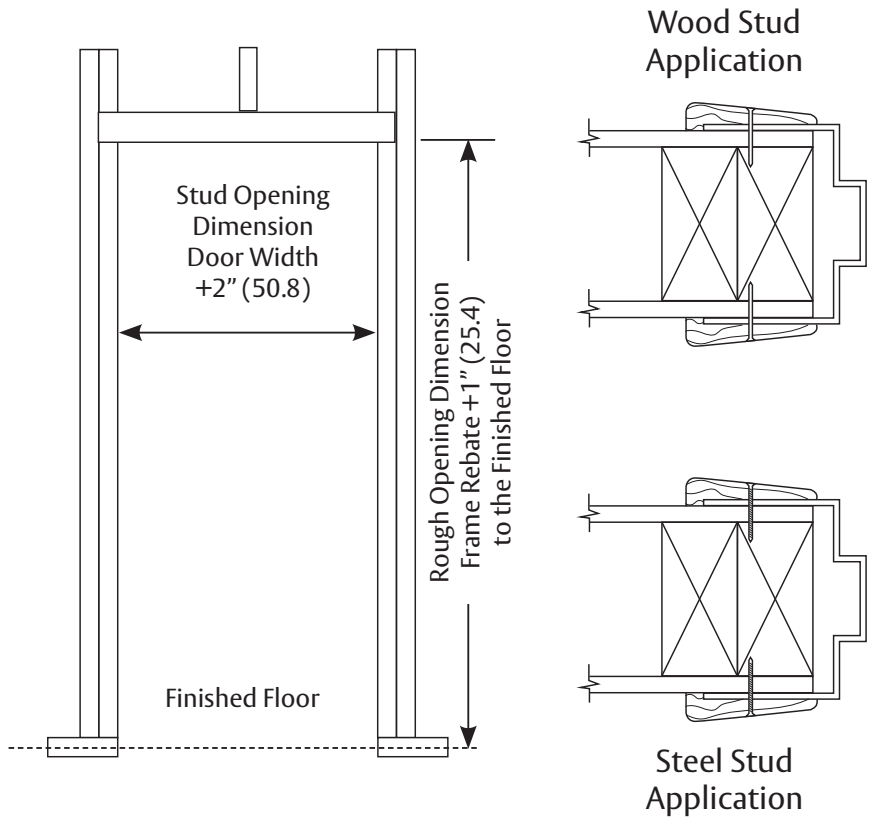
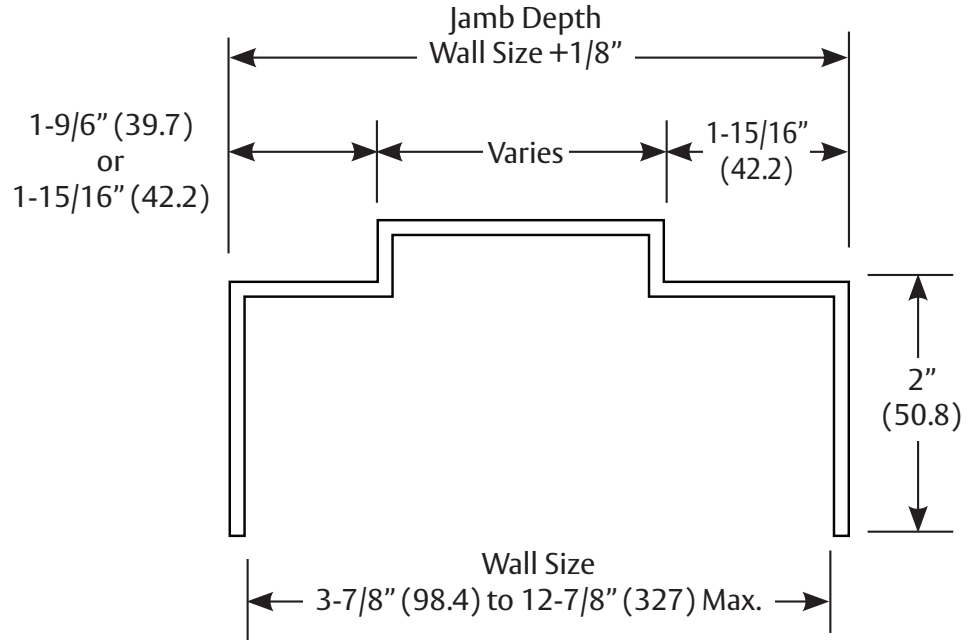
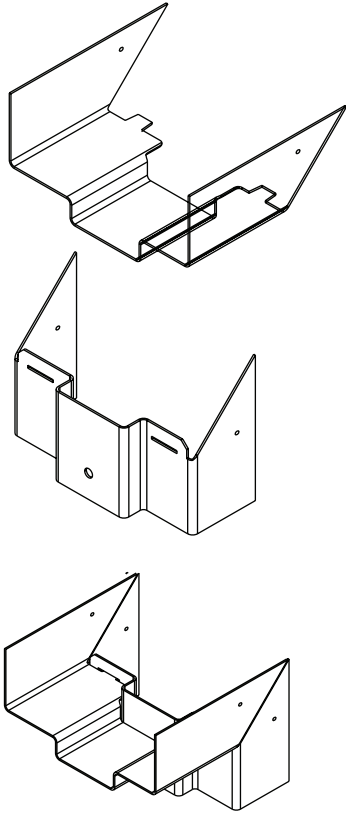
Installation Details

- Install header into position
- Install hinge jamb starting at top, engage corner and slide into position
- Install strike jamb in same manner as hinge jamb
- Adjust frame for proper clearances, plumb and level
- Secure frame to wall studs with nails/screws



The CURRIES “N” profile slip-on “Nailer” frame is the perfect choice when you need a fire-rated high end architectural looking frame at a competitive price. The slip-on frame is designed for most decorative trims to be applied to the face of the frame for the optimum desired look for any building. CURRIES “N” profile frames can be attached to several construction materials including wood stud, metal stud, drywall and more. Slip-on frames are able to accept a variety of wall thicknesses.

"N" Profile – Slip-on "Nailer" Frame



1502 12th Street NW
 Mason City, IA 50401
 Phone: 641-423-1334
 Fax: 641-424-8305
 www.curries.com

ASSA ABLOY is the global leader in door opening solutions, dedicated to satisfying end-user needs for security, safety and convenience

Copyright © 2015, AADG, Inc., an ASSA ABLOY Group company. All rights reserved. Reproduction in whole or in part without the express written permission of AADG, Inc. is prohibited.