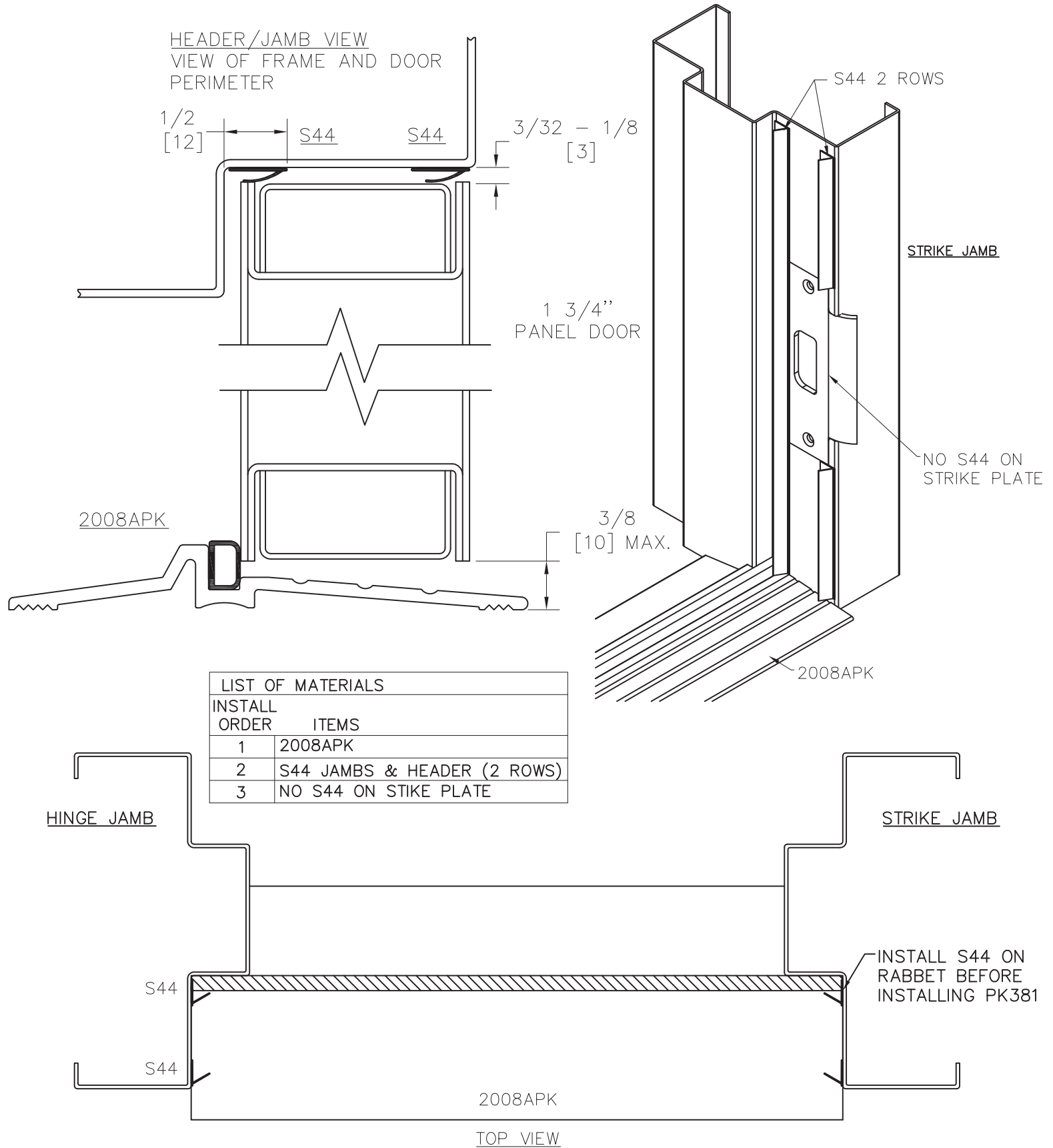


Effective Date: January 2015 rev.2

SOUND SEAL SYSTEM 1

SYSTEM DETAIL OF AN ACOUSTICAL SEAL FOR CURRIES

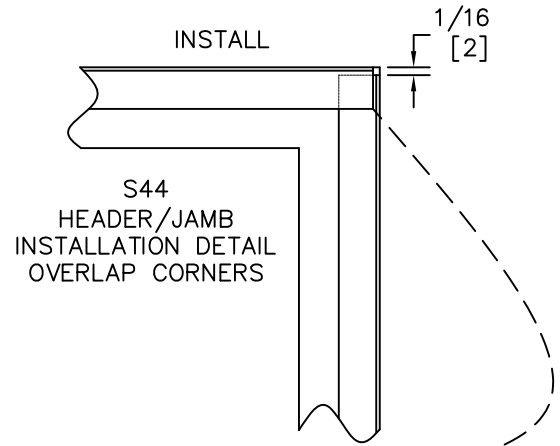


DO NOT SCALE

Manufacturer reserves the right to make changes without formal notice. Contact Engineering for latest revision

CONTINUED ON BACK

SEAL INSTALLATION DIAGRAM (SOUND SEAL SYSTEM 1)



HEADER

STRIKE JAMB

