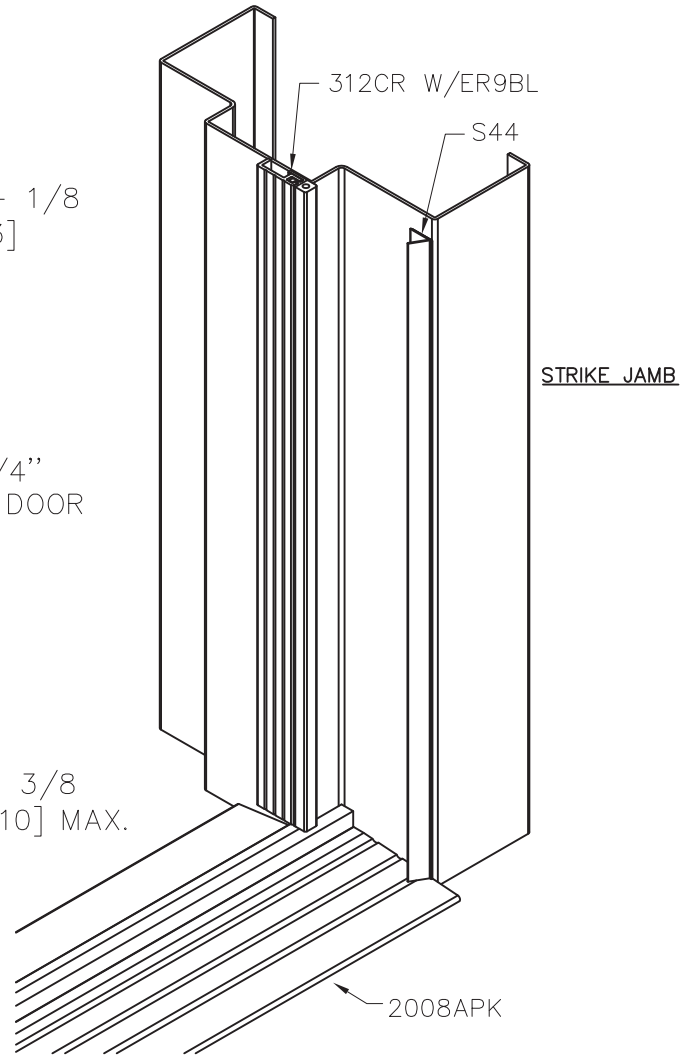
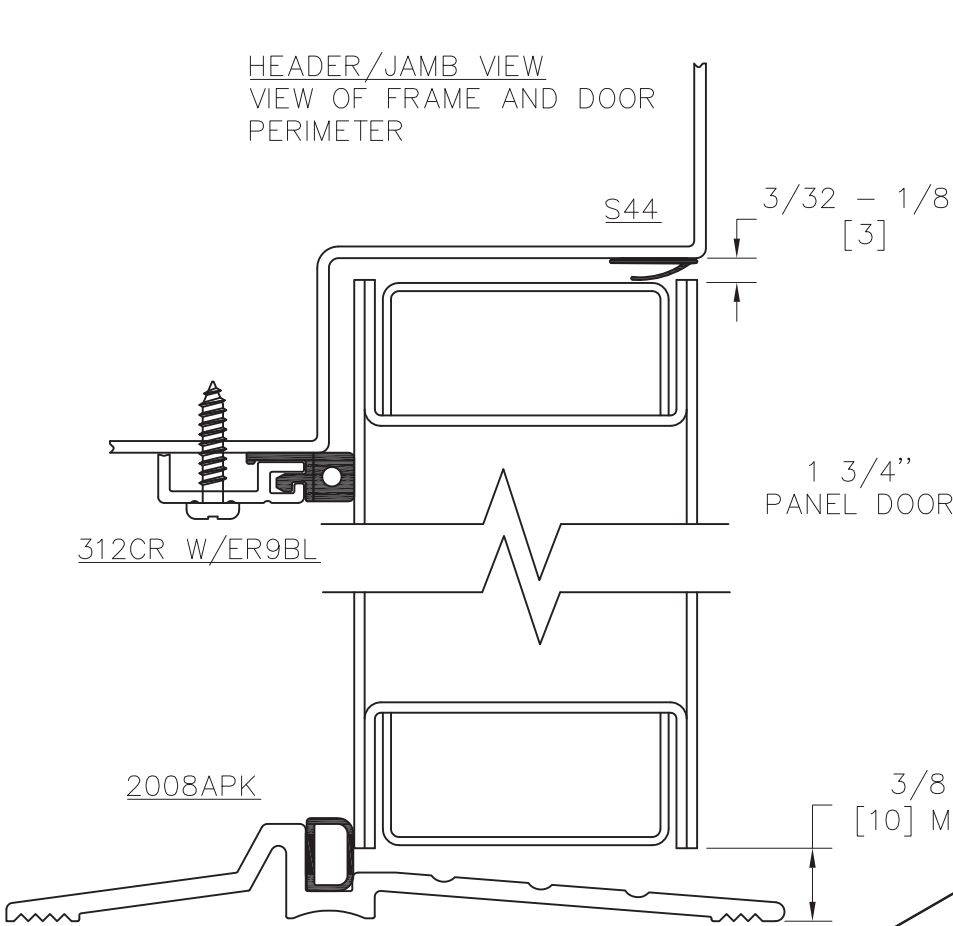


Effective Date: January 2015 rev.1

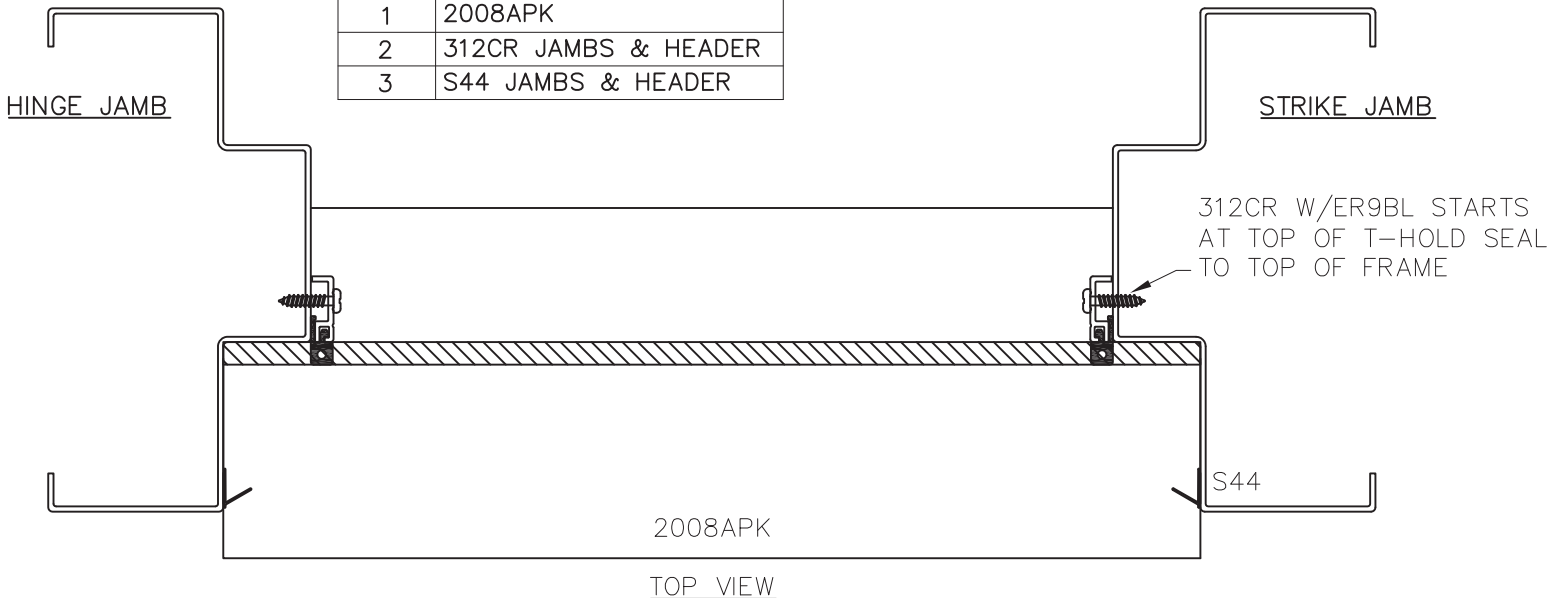
SOUND SEAL SYSTEM 2

SYSTEM DETAIL OF AN ACOUSTICAL SEAL FOR CURRIES

HEADER/JAMB VIEW
VIEW OF FRAME AND DOOR PERIMETER



LIST OF MATERIALS	
INSTALL ORDER	ITEMS
1	2008APK
2	312CR JAMBS & HEADER
3	S44 JAMBS & HEADER



DO NOT SCALE

Manufacturer reserves the right to make changes without formal notice. Contact Engineering for latest revision

CONTINUED ON BACK

SEAL INSTALLATION DIAGRAM (SOUND SEAL SYSTEM 2)

