

# SOUND DOOR ASSEMBLY INSTALLATION INSTRUCTIONS FOR SEAL SET 2B

## IMPORTANT READ BEFORE PROCEEDING

PROPER INSTALLATION OF THE DOOR, FRAME, THRESHOLD, AND SEALS ARE CRUCIAL TO ENSURE PROPER OPERATION AND ACHIEVE THE SPECIFIED STC RATING. FRAMES SHOULD BE MORTAR FILLED AND SET PLUMB AND SQUARE. USING A MORTAR WITHOUT AGGREGATE OR ROCK WILL MAKE DRILLING INTO THE FRAME EASIER. PROPER CLEARANCES BETWEEN DOOR AND HINGE JAMB ARE 3/32" AND 1/8" AT HEAD AND LOCK JAMB. THE PERIMETER SEALS SHOULD BE INSTALLED PRIOR TO INSTALLING HARDWARE THAT MOUNTS TO THE SOFFIT.

**NOTE:** FINISH COAT OF PAINT MUST BE COMPLETELY CURED BEFORE INSTALLING ANY SEALS.

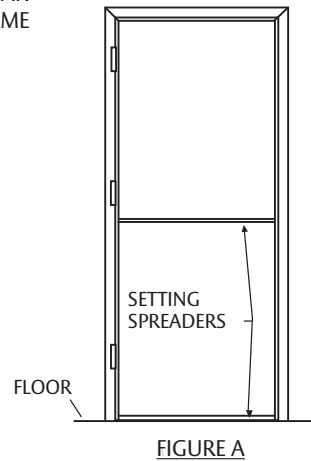
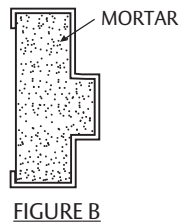
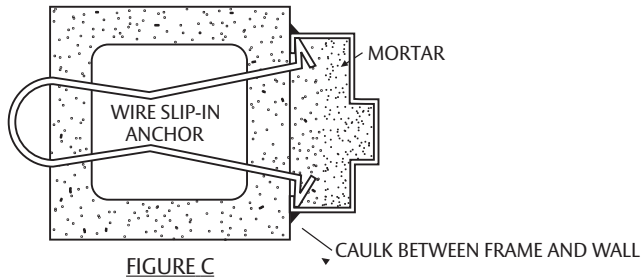
 **CURRIES**<sup>®</sup>

**ASSA ABLOY**

ASSA ABLOY, the global leader  
in door opening solutions

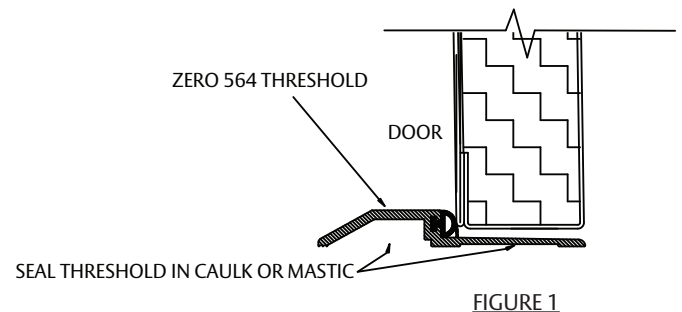
## STEP 1 Frame Installation

1. INSTALL MASONRY FRAME BY ANCHORING TO FLOOR WITH FOOT CLIPS (FIGURE A).
2. FILL FRAME FULL WITH MORTAR AND TAPE THE INSIDE OF THE FRAME AROUND HINGES, STRIKE, AND OTHER AREAS WHERE THERE IS A POTENTIAL FOR MORTAR TO LEAK. TAPING THE RETURN LEGS WILL AID IN CLEANUP AFTER THE MORTAR HAS DRIED. USING A MORTAR WITHOUT AGGREGATE OR ROCK WILL MAKE DRILLING INTO THE FRAME EASIER. THE FRAME SHOULD BE FILLED FLUSH TO 1/8" BELOW RETURN LEGS (MINIMUM). MORTAR SHOULD BE SMOOTH AND LEVEL. DO NOT OVERFILL. (FIGURE B).
3. CAULK BETWEEN FRAME AND WALL (FIGURE C).



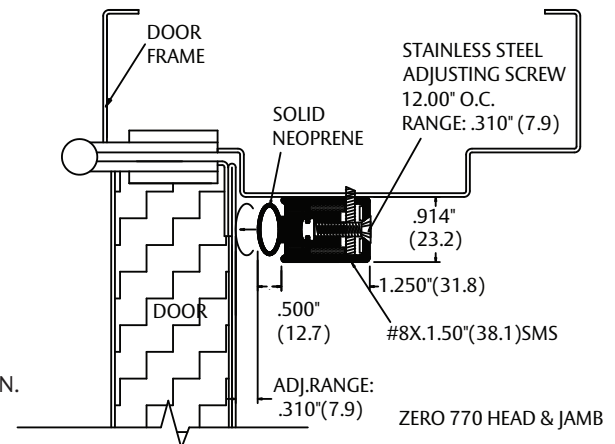
## STEP 2 Installation of Zero 564 Threshold (Figure 1)

1. MEASURE AND CUT THRESHOLD TO SIZE AS REQUIRED.
2. NOTCH AS NECESSARY, TO SUIT DOOR FRAME.
3. THRESHOLD MUST BE LEVEL.
4. CAULK UNDERNEATH AND AROUND EDGES OF THRESHOLD FOR MOISTURE CONTROL.
5. ATTACH THRESHOLD TO FLOOR SURFACE WITH SCREWS PROVIDED (DO NOT MOUNT ON FLOOR COVERING)



## STEP 3 INSTALLATION OF ZERO 770 PERIMETER SEALS (FIGURE 2)

1. ZERO 770 PERIMETER SEALS SHOULD BE 45° MITERED TO FIT THE FRAME HEAD
2. CLOSE THE DOOR AND MEASURE THE FRAME OPENING BETWEEN STOPS TO VERIFY PROPER GASKET LENGTH.
3. PLACE THE 770 HEAD PIECE AGAINST THE FACE OF DOOR, MAKING GENTLE CONTACT BETWEEN THE RUBBER GASKET AND THE DOOR. FASTEN IN PLACE.
4. ON THE HINGE JAMB SIDE, MEASURE THE DISTANCE BETWEEN THE ZERO 770 MOUNTED AT THE HEAD AND THE TOP OF THE ZERO 564 THRESHOLD TO DETERMINE THE PROPER GASKET LENGTH.
5. TRIM THE 770 HINGE JAMB PIECE TO BUTT AGAINST THE 770 MOUNTED AT THE HEAD AND THE TOP OF THE THRESHOLD. TRIM THE RUBBER GASKET TO FOLLOW THE CONTOUR OF THE MATING GASKET.
6. PLACE HINGE SIDE PIECE AGAINST THE FACE OF DOOR, MAKING GENTLE CONTACT BETWEEN THE RUBBER EXTRUSION SEAL AND THE DOOR. FASTEN IN PLACE. REPEAT THE SAME PROCEDURE WITH THE LOCK SIDE.
7. IT IS RECOMMENDED THAT THIS GASKETING PRODUCT BE SET IN A BEAD OF CAULKING TO ENSURE THE INTEGRITY OF THE SEAL AND PREVENT ADDITIONAL SOUND TRANSMISSION.
8. ADJUST THE #770 WITH THE ADJUSTMENT SCREWS AS NECESSARY FOR THE DESIRED SEAL AND OPERATION OF THE DOOR.



## STEP 4 INSTALLATION OF ZERO 367 DOOR BOTTOM (FIGURE 3)

1. ALL SURFACE UNITS MUST BE MOUNTED ON THE PUSH SIDE OF THE DOOR (DOOR STOP SIDE).
2. THE BRASS ADJUSTING NUT MUST BE ON THE HINGE SIDE AND SHOULD NOT BE ADJUSTED UNTIL THE UNIT HAS BEEN MOUNTED.
3. OPPOSITE ADJUSTMENT SCREW END, CUT THE UNIT  $1/8"$  LESS THAN THE DISTANCE BETWEEN THE PERIMETER SEALS WHERE IT WILL BE MOUNTED. (THIS LEAVES  $1/16"$  CLEARANCE ON EACH END)
4. MOUNT ALLOWING  $3/8"$  CLEARANCE BETWEEN BOTTOM OF UNIT AND TOP OF THRESHOLD.
5. BACK OUT BRASS ADJUSTING NUT SO IT WILL MAKE CONTACT WITH THE STOP. OPEN AND CLOSE DOOR AND ADJUST BRASS NUT UNTIL THE SEAL MAKES CONTACT WITH THRESHOLD.

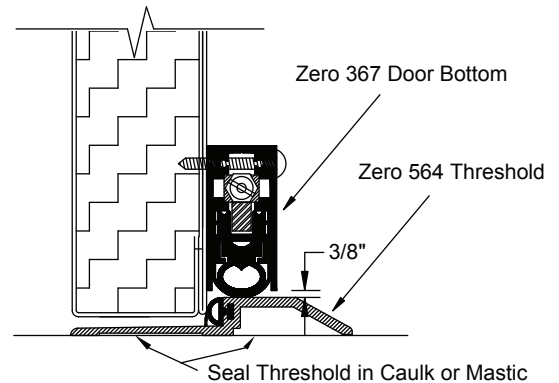


FIGURE 3

## STEP 5 INSTALLATION OF ZERO 119WB & 118B SEALS (FIGURES 4 & 5)

### BEFORE INSTALLATION :

1. THOROUGHLY CLEAN THE SURFACE OF THE FRAME WHERE SPRING SEAL IS TO BE APPLIED (SEE DRAWINGS). USE EITHER A SOLVENT CLEANER (SUCH AS MINERAL SPIRIT) OR A COMMON DETERGENT CLEANER. MAKE SURE TO CHECK FOR ANY IMPEDIMENTS (DUST, DIRT, OIL, GREASE, LOOSE PAINT, ETC.) AND REMOVE THEM FROM THE SURFACE AREA.
2. ALLOW SURFACE AREA TO DRY COMPLETELY BEFORE BEGINNING INSTALLATION.
3. RECOMMENDATION: FINISH-PAINT DOORS AND FRAMES AND ALLOW THE PAINT TO DRY BEFORE INSTALLING THE SPRING SEAL.

### HOW TO INSTALL 119WB SEALS :

1. INSTALL THE HEAD PIECE FIRST ALONG THE ENTIRE LENGTH OF THE HEAD. MEASURE AND CUT THE SPRING SEAL TO SIZE AND PLACE PROPERLY, REFERRING TO FIGURE 4 FOR LOCATION ON THE HEAD. REMOVE THE PAPER BACKING FROM THE SELF-ADHESIVE STRIP, ALIGN ON THE HEAD ( $1/8"$  INSET FROM FACE) AND PRESS FIRMLY INTO PLACE.
2. ON THE HINGE JAMB SIDE, MEASURE THE DISTANCE BETWEEN THE ZERO 119WB MOUNTED AT THE HEAD AND THE TOP OF THE ZERO 564 THRESHOLD TO DETERMINE THE PROPER SPRING SEAL LENGTH.
3. TRIM THE ZERO 119WB HINGE JAMB PIECE TO BUTT AGAINST THE ZERO 119WB MOUNTED AT THE HEAD AND THE TOP OF THE THRESHOLD. TRIM THE FIN OF THE 119WB TO FOLLOW THE CONTOUR OF THE MATING SPRING SEAL. REMOVE THE PAPER BACKING FROM THE SELF-ADHESIVE STRIP, ALIGN ON THE HINGE JAMB ( $1/8"$  INSET FROM FACE) AND PRESS FIRMLY INTO PLACE.
4. INSTALL THE STRIKE JAMB SPRING SEAL LAST, FOLLOWING PROCEDURES 2 & 3. THE 119WB WILL HAVE TO BE NOTCHED AT THE STRIKE. (ONLY NOTCH THE LEG WITH SELF-ADHESIVE STRIP). SEE NEXT PAGE FOR FIGURES 4 & 5.

### HOW TO INSTALL 118B SEALS :

1. INSTALL THE HEAD PIECE FIRST ALONG THE ENTIRE LENGTH OF THE HEAD. MEASURE AND CUT THE SPRING SEAL TO SIZE AND PLACE PROPERLY, REFERRING TO FIGURE 6 FOR LOCATION ON THE HEAD. REMOVE THE PAPER BACKING FROM THE SELF-ADHESIVE STRIP, ALIGN ON THE HEAD (BETWEEN THE 119WB AND THE FRAME STOP) AND PRESS FIRMLY INTO PLACE NEXT TO THE FRAME STOP.
2. ON THE HINGE JAMB SIDE, MEASURE THE DISTANCE BETWEEN THE ZERO 118B MOUNTED AT THE HEAD AND THE TOP OF THE ZERO 564 THRESHOLD TO DETERMINE THE PROPER SPRING SEAL LENGTH.
3. TRIM THE ZERO 118B HINGE JAMB PIECE TO BUTT AGAINST THE ZERO 118B MOUNTED AT THE HEAD AND THE TOP OF THE THRESHOLD. TRIM THE FIN OF THE 118B TO FOLLOW THE CONTOUR OF THE MATING SPRING SEAL. REMOVE THE PAPER BACKING FROM THE SELF-ADHESIVE STRIP, ALIGN ON THE HINGE JAMB (BETWEEN THE 119WB AND THE FRAME STOP) AND PRESS FIRMLY INTO PLACE NEXT TO THE FRAME STOP.
4. INSTALL THE STRIKE JAMB SPRING SEAL LAST, FOLLOWING PROCEDURES G AND H. THE 118B MAY HAVE TO BE NOTCHED AT THE STRIKE.

CONTINUED ON NEXT PAGE...

# STEP 5 CONTINUED

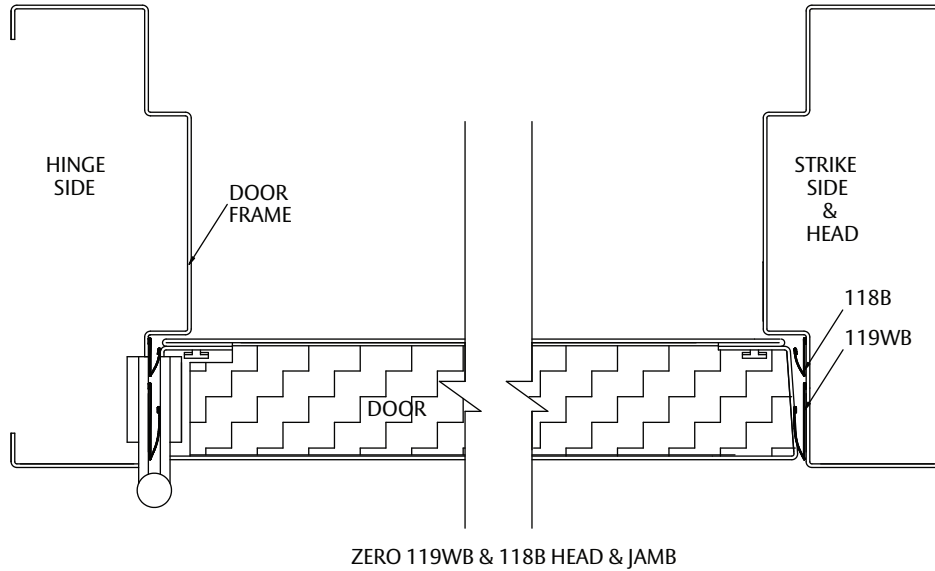


FIGURE 4

5. INSTALL 119WB SPRING SEAL ON THE BOTTOM. MEASURE AND CUT 119WB TO FIT ALONG THE ENTIRE LENGTH OF THE BOTTOM OF THE DOOR. REMOVE THE PAPER BACKING FROM THE SELF-ADHESIVE STRIP, ALIGN ON THE BOTTOM OF DOOR (FLUSH ON HINGE KNUCKLE SIDE) AND PRESS FIRMLY INTO PLACE (REFER TO FIGURE 4 FOR PLACEMENT ON THE BOTTOM OF THE DOOR)
6. INSTALL 118B SPRING SEAL ON THE BOTTOM OF DOOR LAST. MEASURE AND CUT 118B TO FIT ALONG THE ENTIRE LENGTH OF THE BOTTOM OF THE DOOR. REMOVE THE PAPER BACKING FROM THE SELF-ADHESIVE STRIP, ALIGN ON THE BOTTOM OF DOOR (BETWEEN 119WB AND EDGE OF DOOR) AND PRESS FIRMLY INTO PLACE (REFER TO FIGURE 5 FOR PLACEMENT ON THE BOTTOM OF THE DOOR)
7. ONCE ALL SEALS ARE INSTALLED AND ADJUSTED, CHECK DOOR FOR CLOSING AND LATCHING TO ENSURE PROPER OPERATION.

