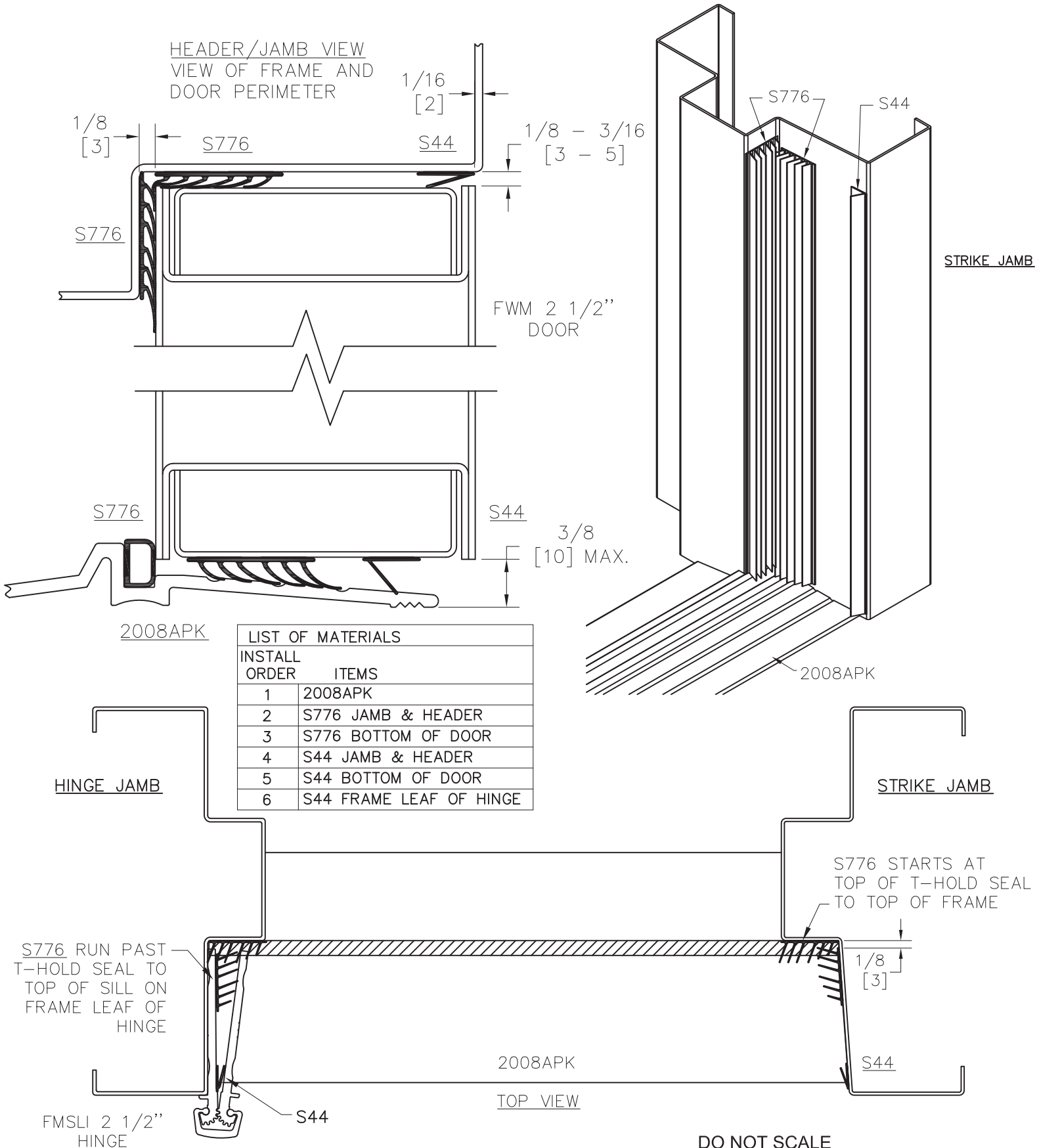


Effective Date: January 2015 rev.3

SOUND SEAL SYSTEM 7 - WITH 2 1/2" DOOR

SYSTEM DETAIL OF AN ACOUSTICAL SEAL FOR CURRIES DOOR FWM 2-1/2" MODEL



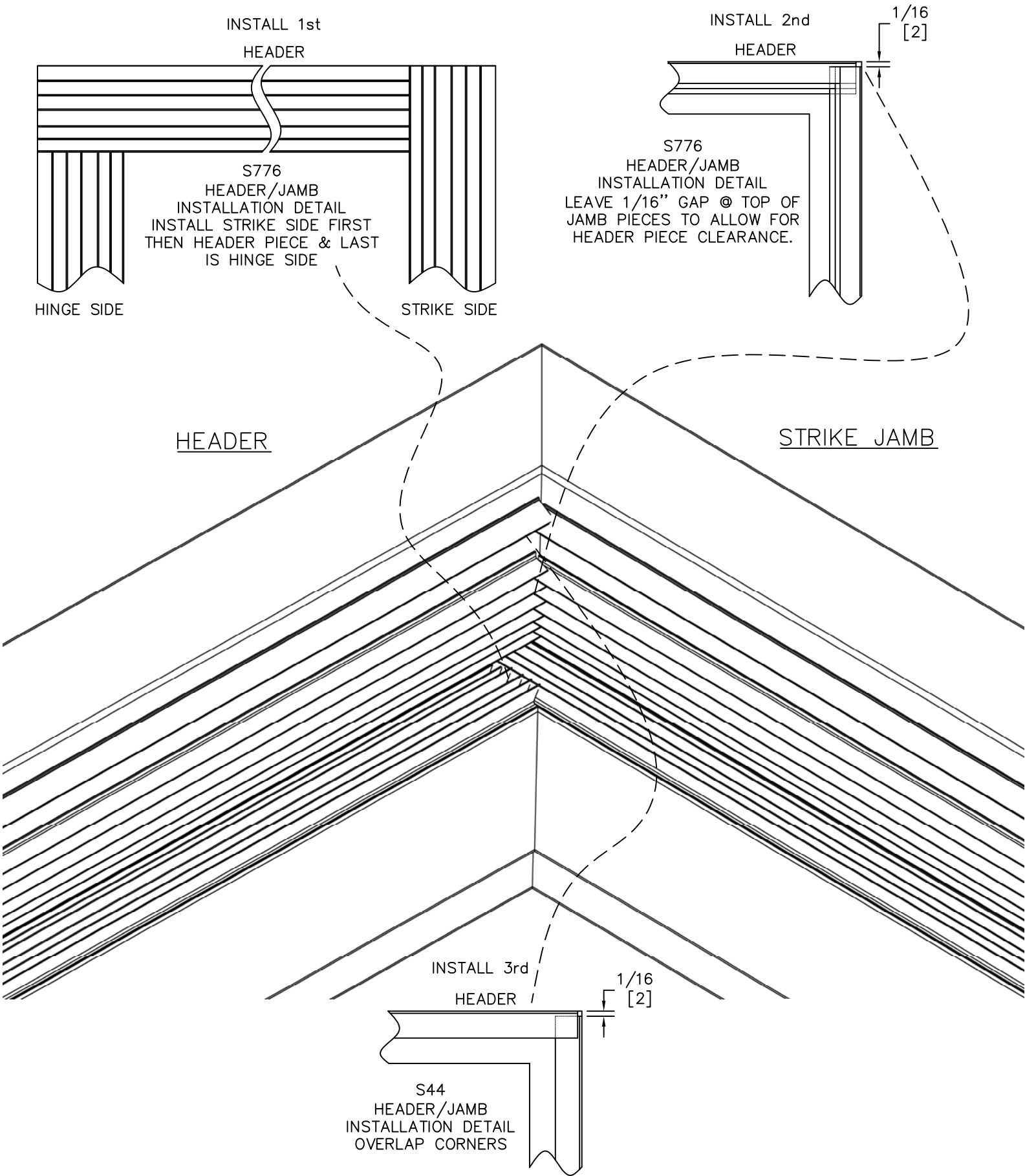
LIST OF MATERIALS	
INSTALL ORDER	ITEMS
1	2008APK
2	S776 JAMB & HEADER
3	S776 BOTTOM OF DOOR
4	S44 JAMB & HEADER
5	S44 BOTTOM OF DOOR
6	S44 FRAME LEAF OF HINGE

DO NOT SCALE

Manufacturer reserves the right to make changes without formal notice. Contact Engineering for latest revision

CONTINUED ON BACK

SEAL INSTALLATION DIAGRAM (SOUND SEAL 7)



PEMKO Manufacturing Company

Manufacturer reserves the right to make changes without formal notice.