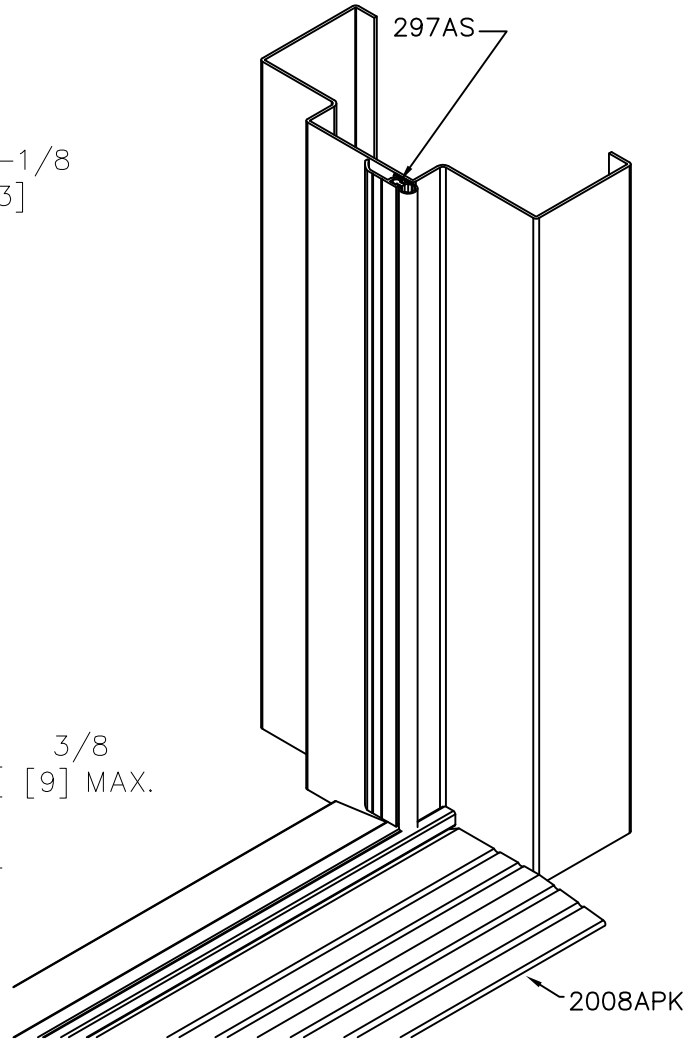
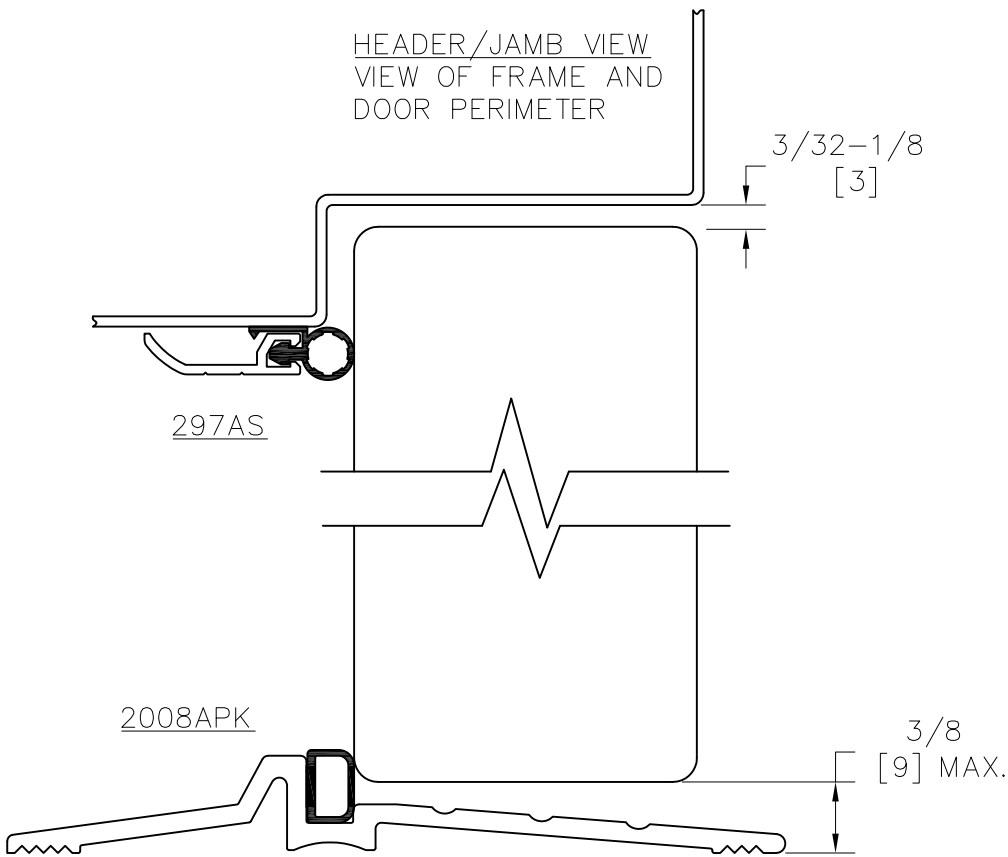


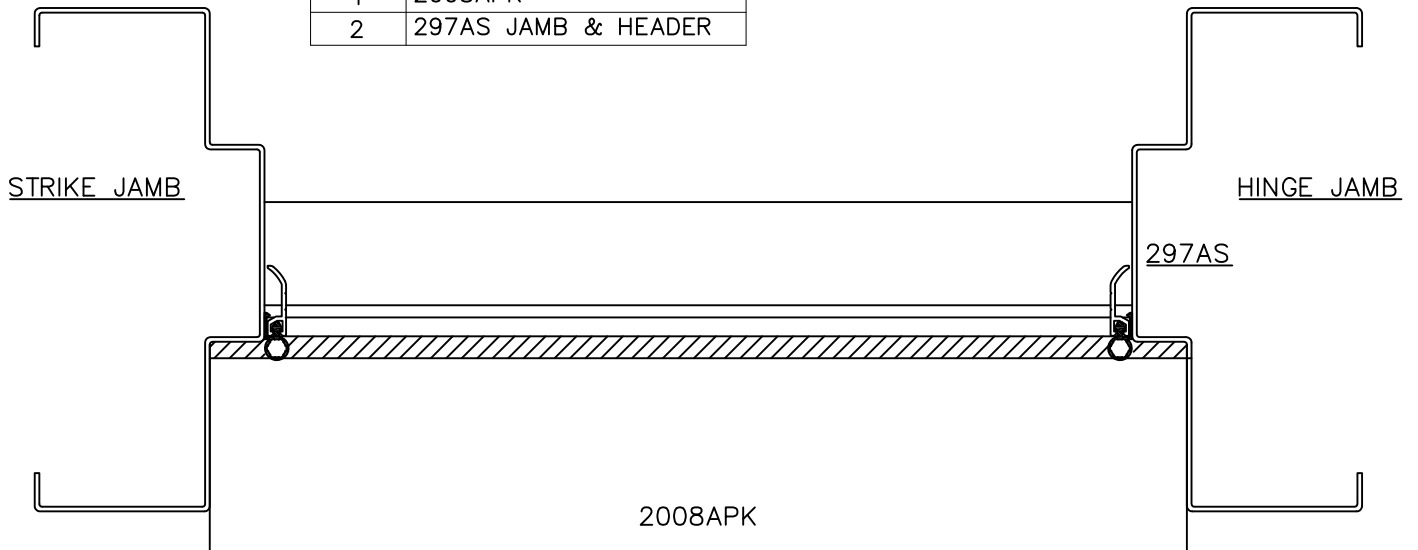
Effective Date: January 2015 rev.2

SOUND SEAL SYSTEM 16
SYSTEM DETAIL OF AN ACOUSTICAL SEAL FOR DOOR & FRAME

HEADER/JAMB VIEW
VIEW OF FRAME AND
DOOR PERIMETER



| LIST OF MATERIALS | |
|-------------------|---------------------|
| INSTALL ORDER | ITEMS |
| 1 | 2008APK |
| 2 | 297AS JAMB & HEADER |



TOP VIEW

DO NOT SCALE

Manufacturer reserves the right to make changes without formal notice. Contact Engineering for latest revision