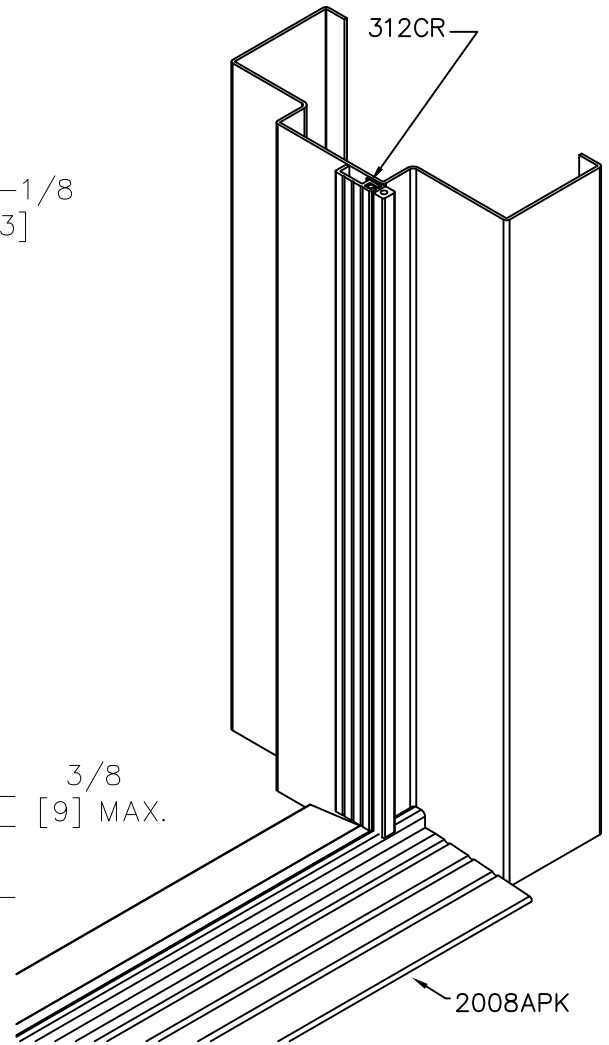
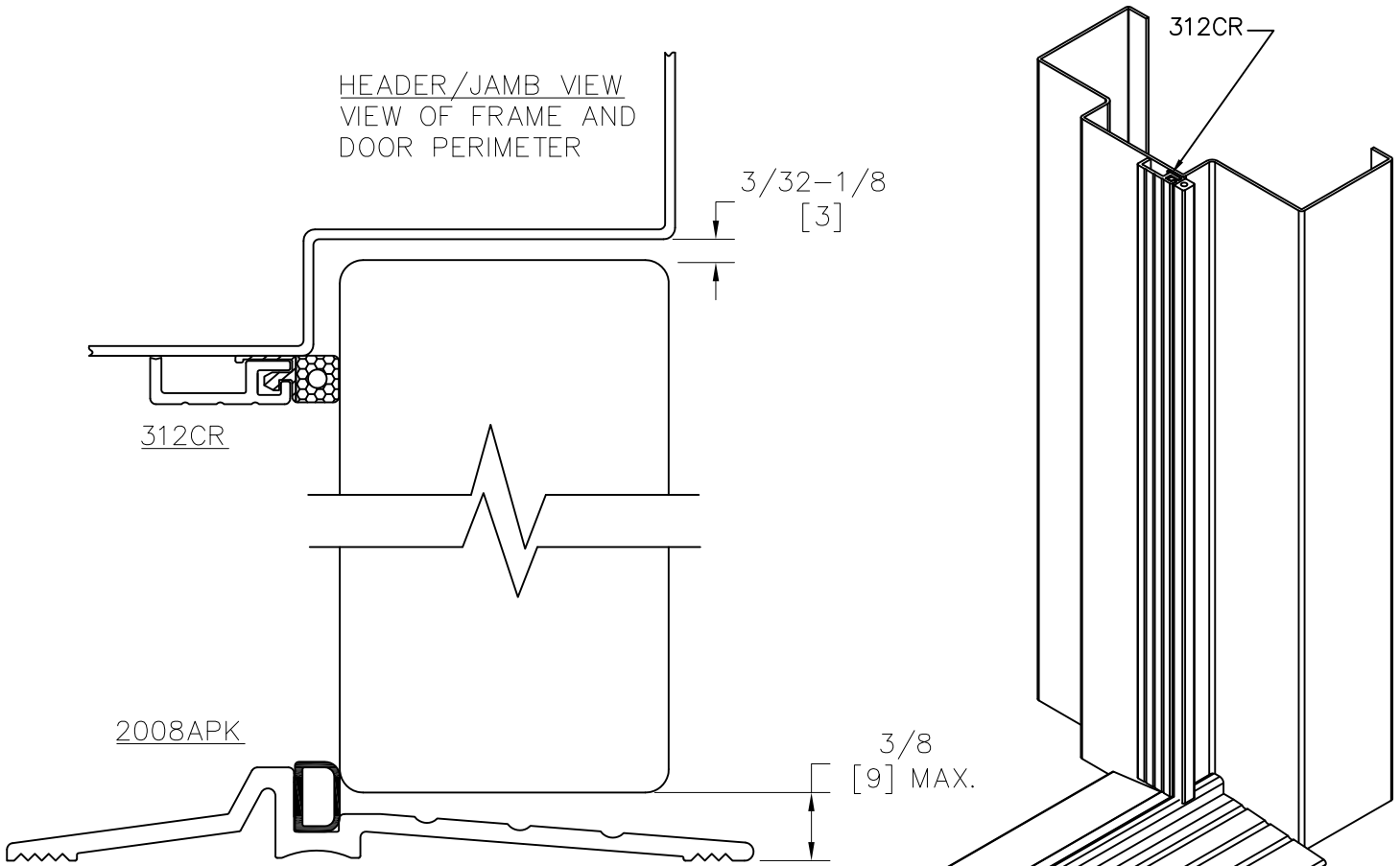


Effective Date: January 2015 rev.0

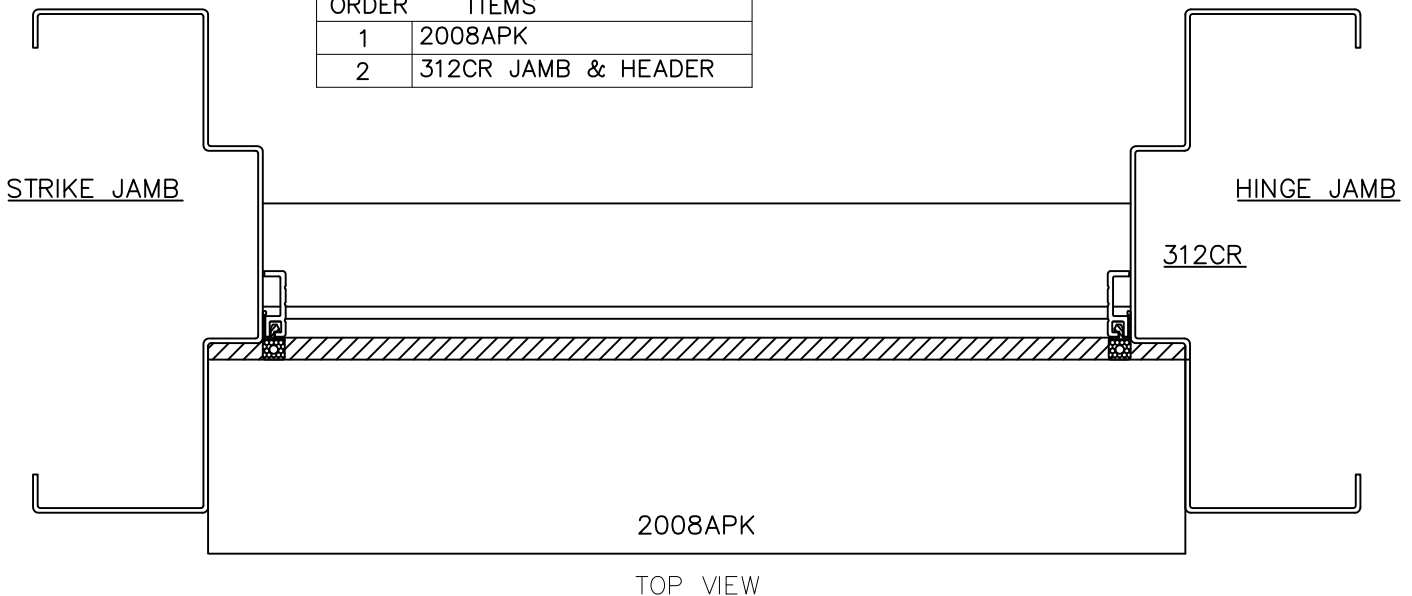
SOUND SEAL SYSTEM 32 - 2008APK THRESHOLD - 312CR

SYSTEM DETAIL OF AN ACOUSTICAL SEAL FOR DOOR & FRAME

HEADER/JAMB VIEW
VIEW OF FRAME AND
DOOR PERIMETER



LIST OF MATERIALS	
INSTALL ORDER	ITEMS
1	2008APK
2	312CR JAMB & HEADER



DO NOT SCALE