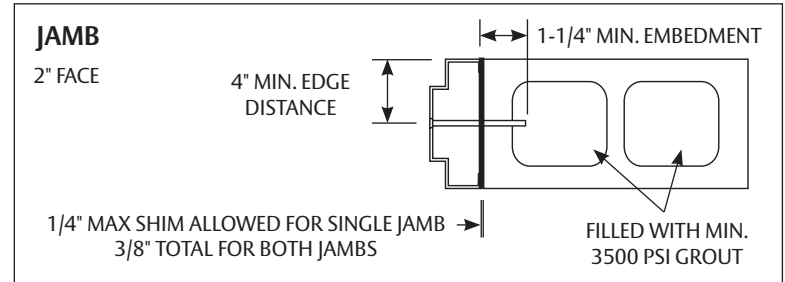
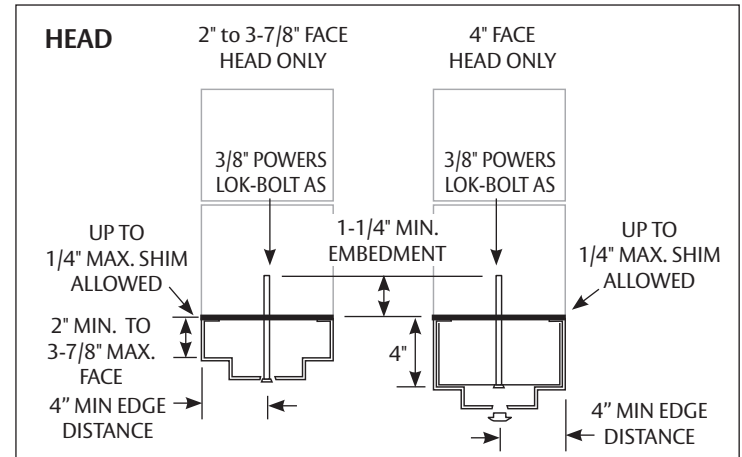
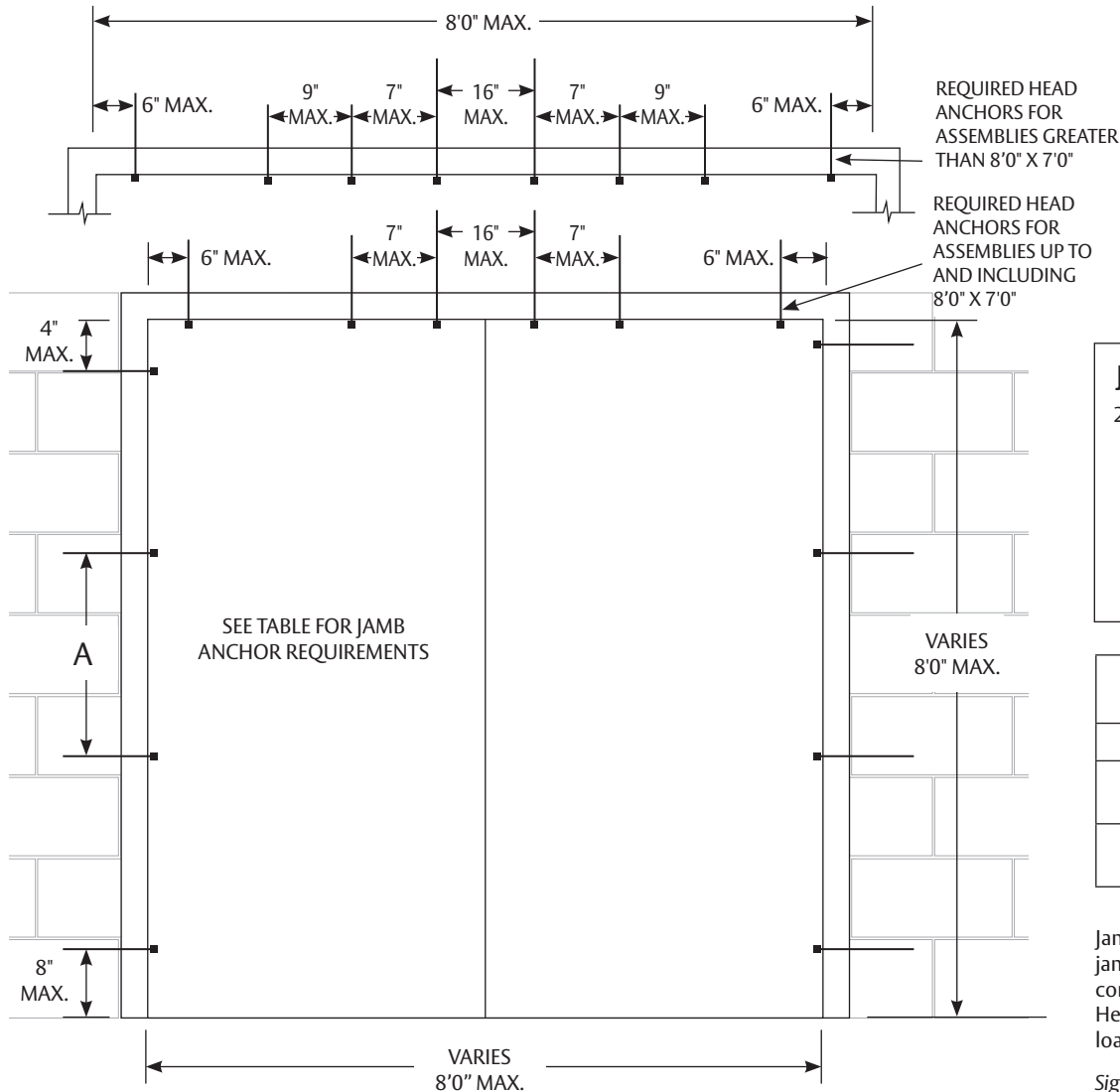


StormPro 361 Assembly Anchoring - Pairs

Head Anchoring Method – Welded Pipe Spacer with 3/8" Powers Lok Bolt AS
 Jamb Anchoring Method – Welded Pipe Spacer with 3/8" Powers Lok Bolt AS



OPENING SIZE	"A" DIMENSION	MIN. # OF JAMB ANCHORS
UP TO AND INCLUDING 7070	24" MAX. ON CENTER	4
OVER 7070 AND UP TO AND INCLUDING 8070	21" MAX. ON CENTER	4
OVER 8070 AND UP TO AND INCLUDING 8080	21" MAX. ON CENTER	5

Jamb anchor locations may vary provided that the spacing on either side of each jamb anchor does not exceed dimension "A" in table above, distance from bottom corners does not exceed 8", and distance from top corners does not exceed 4". Head anchors shall be provided as shown. Anchors may have up to 1/4" maximum load bearing shim.

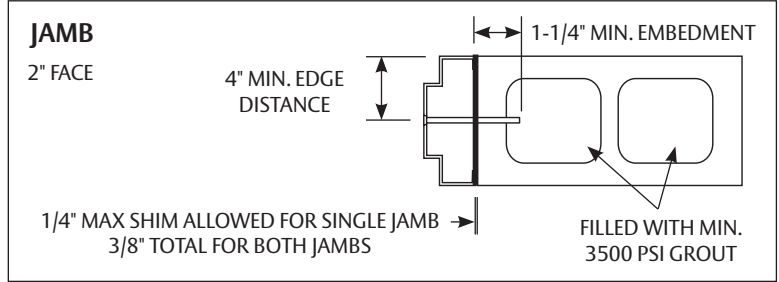
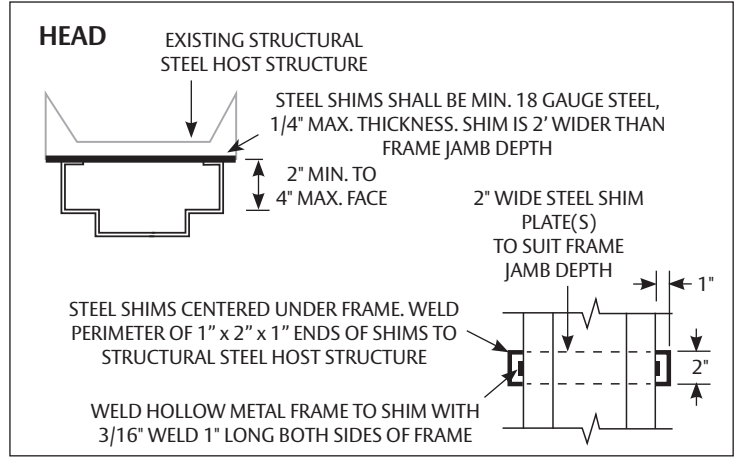
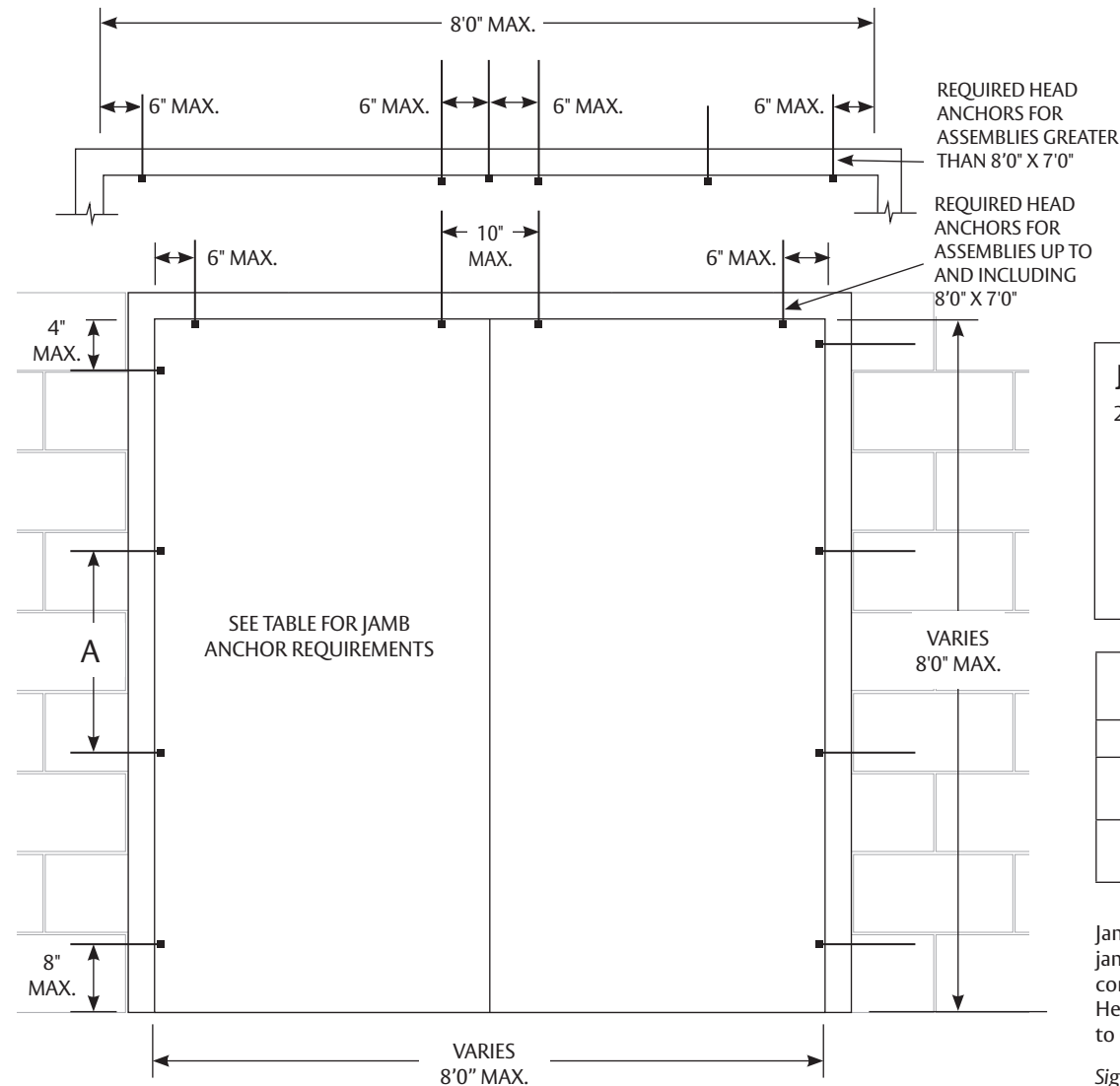
Signed and sealed anchor calculations available upon request.

<p>ASSA ABLOY, the global leader in door opening solutions</p>	JOB NO.	PROJECT	SHEET NO. OF
		LOCATION	

StormPro 361 Assembly Anchoring - Pairs

Head Anchoring Method – Welded to the Building Structure

Jamb Anchoring Method – Welded Pipe Spacer with 3/8" Powers Lok Bolt AS



OPENING SIZE	"A" DIMENSION	MIN. # OF JAMB ANCHORS
UP TO AND INCLUDING 7070	24" MAX. ON CENTER	4
OVER 7070 AND UP TO AND INCLUDING 8070	21" MAX. ON CENTER	4
OVER 8070 AND UP TO AND INCLUDING 8080	21" MAX. ON CENTER	5

Jamb anchor locations may vary provided that the spacing on either side of each jamb anchor does not exceed dimension "A" in table above, distance from bottom corners does not exceed 8", and distance from top corners does not exceed 4". Head anchors shall be provided as shown. Head anchor spacing may be reduced to 6" on center. Anchors may have up to 1/4" maximum load bearing shim.

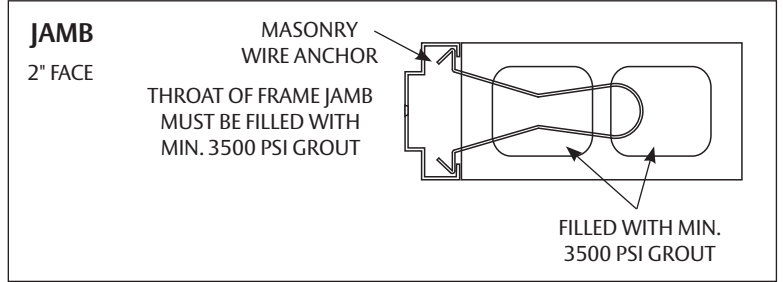
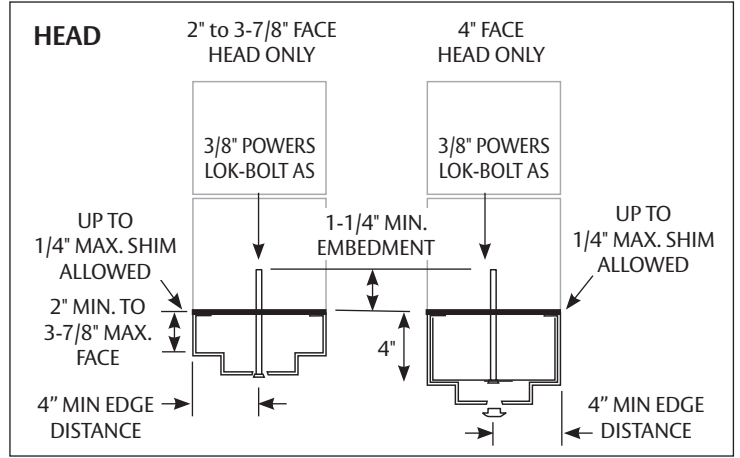
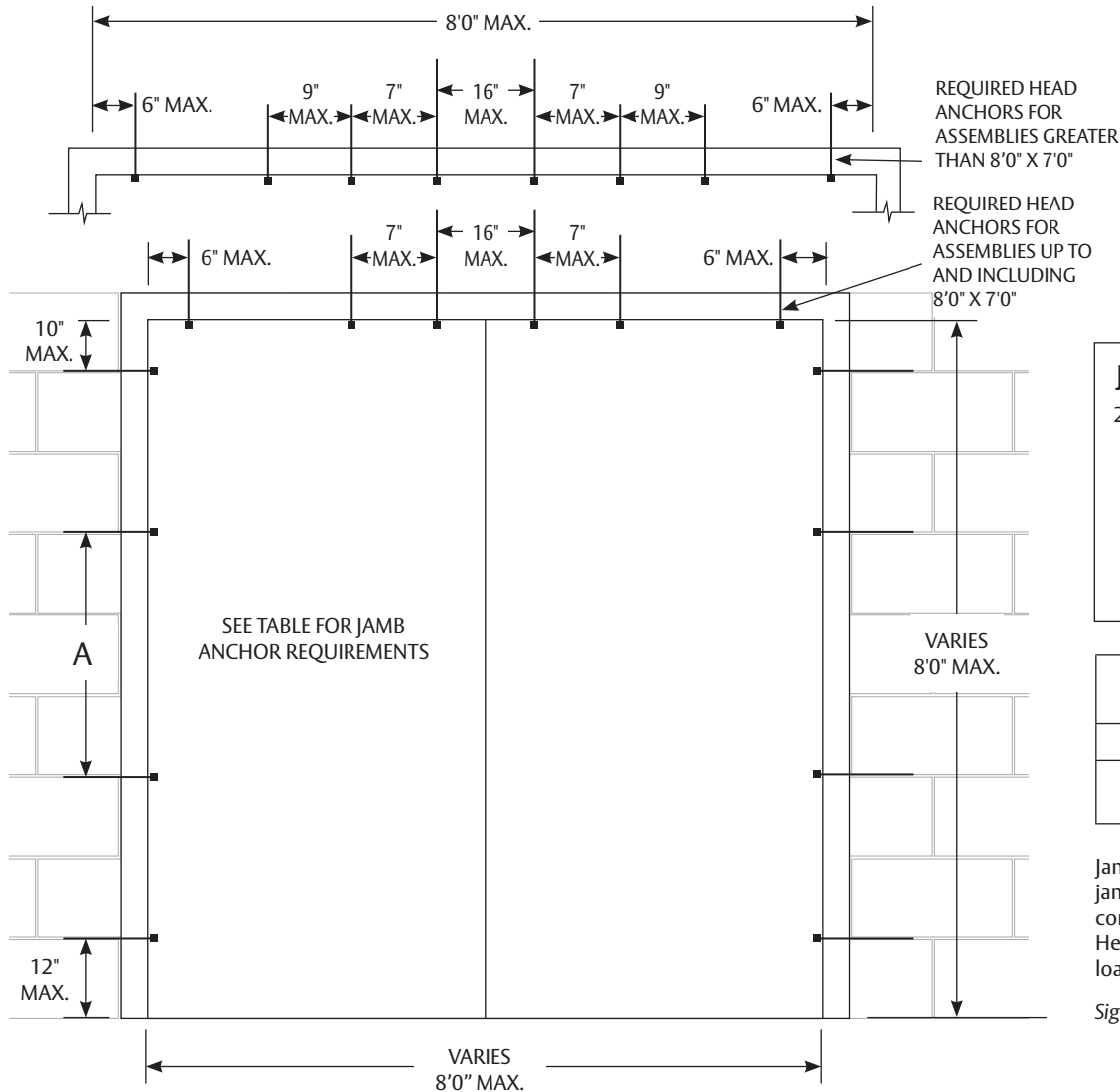
Signed and sealed anchor calculations available upon request.

<p>ASSA ABLOY, the global leader in door opening solutions</p>	JOB NO.	PROJECT	SHEET NO. OF
		LOCATION	

StormPro 361 Assembly Anchoring - Pairs

Head Anchoring Method – Welded Pipe Spacer with 3/8" Powers Lok Bolt AS

Jamb Anchoring Method – Masonry Wire Anchors



OPENING SIZE	"A" DIMENSION	MIN. # OF JAMB ANCHORS
UP TO AND INCLUDING 8070	24" MAX. ON CENTER	4
OVER 8070 AND UP TO AND INCLUDING 8080	24" MAX. ON CENTER	5

Jamb anchor locations may vary provided that the spacing on either side of each jamb anchor does not exceed dimension "A" in table above, distance from bottom corners does not exceed 12", and distance from top corners does not exceed 10". Head anchors shall be provided as shown. Anchors may have up to 1/4" maximum load bearing shim.

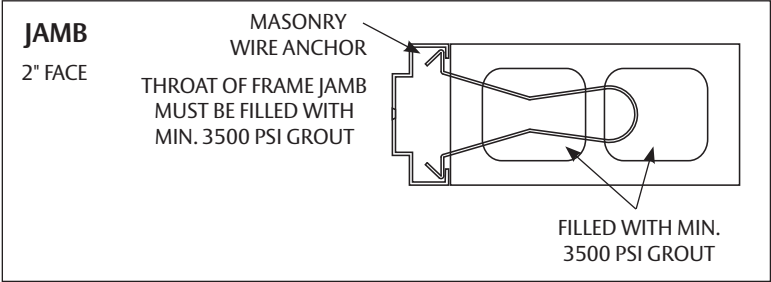
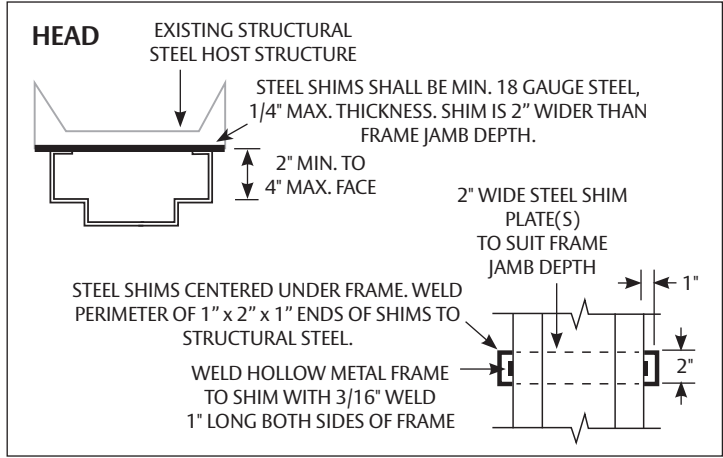
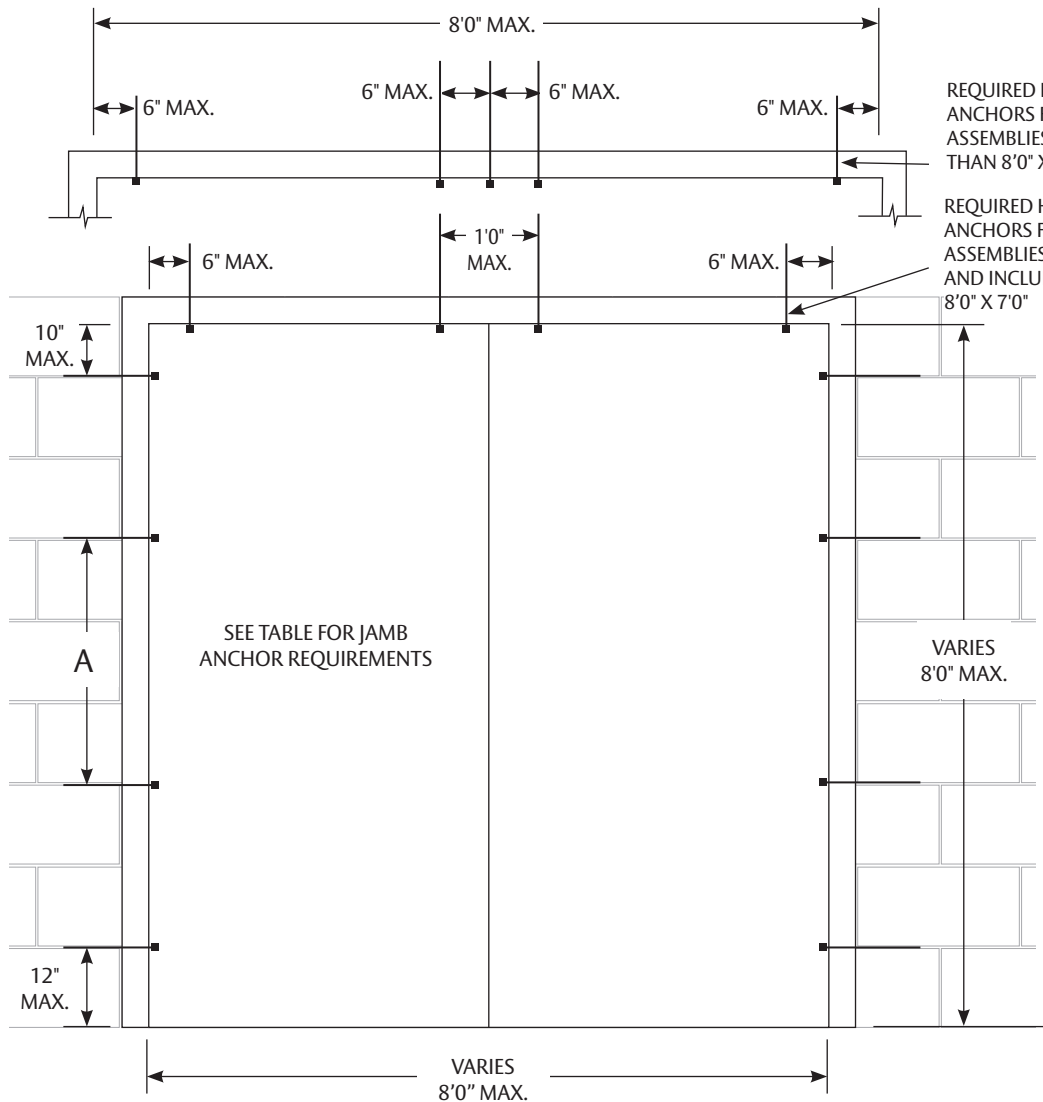
Signed and sealed anchor calculations available upon request.

<p>ASSA ABLOY, the global leader in door opening solutions</p>	JOB NO.	PROJECT	SHEET NO. OF
		LOCATION	

StormPro 361 Assembly Anchoring - Pairs

Head Anchoring Method – Welded to the Building Structure

Jamb Anchoring Method – Masonry Wire Anchors



OPENING SIZE	"A" DIMENSION	MIN. # OF JAMB ANCHORS
UP TO AND INCLUDING 8070	24" MAX. ON CENTER	4
OVER 8070 AND UP TO AND INCLUDING 8080	24" MAX. ON CENTER	5

Jamb anchor locations may vary provided that the spacing on either side of each jamb anchor does not exceed dimension "A" in table above, distance from bottom corners does not exceed 12", and distance from top corners does not exceed 10". Head anchors shall be provided as shown. Anchors may have up to 1/4" maximum load bearing shim.

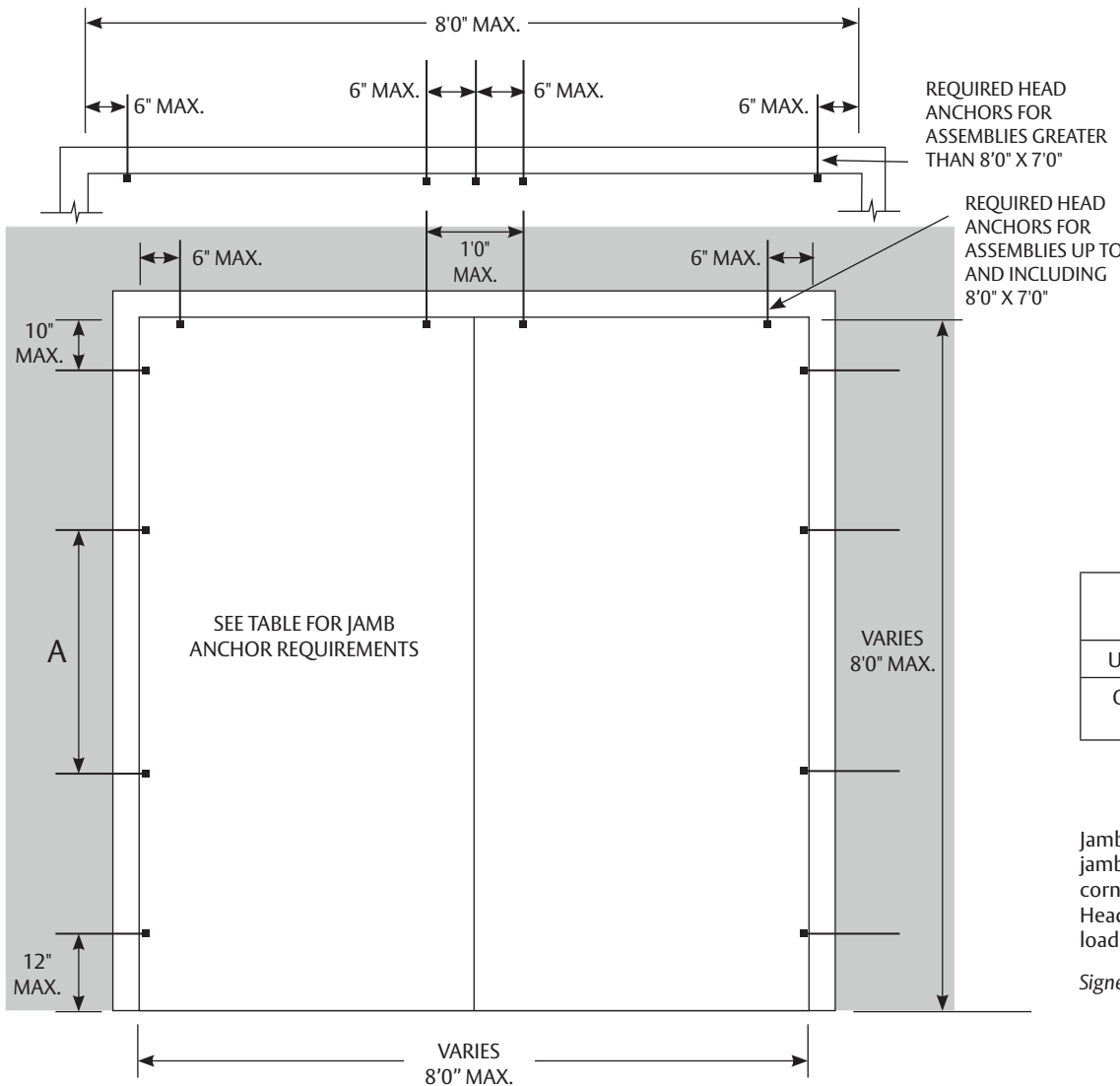
Signed and sealed anchor calculations available upon request.

<p>ASSA ABLOY, the global leader in door opening solutions</p>	JOB NO.	PROJECT	SHEET NO. OF
		LOCATION	

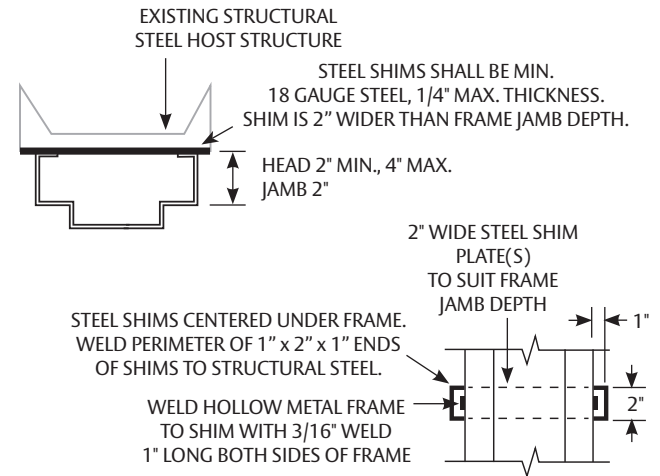
StormPro 361 Assembly Anchoring - Pairs

Head Anchoring Method – Welded to the Building Structure

Jamb Anchoring Method – Welded to the Building Structure



HEAD and JAMB



OPENING SIZE	"A" DIMENSION	MIN. # OF JAMB ANCHORS
UP TO AND INCLUDING 8070	24" MAX. ON CENTER	4
OVER 8070 AND UP TO AND INCLUDING 8080	24" MAX. ON CENTER	5

Jamb anchor locations may vary provided that the spacing on either side of each jamb anchor does not exceed dimension "A" in table above, distance from bottom corners does not exceed 12", and distance from top corners does not exceed 10". Head anchors shall be provided as shown. Anchors may have up to 1/4" maximum load bearing shim.

Signed and sealed anchor calculations available upon request.

CURRIES

ASSA ABLOY

ASSA ABLOY, the global leader in door opening solutions

JOB NO.

PROJECT

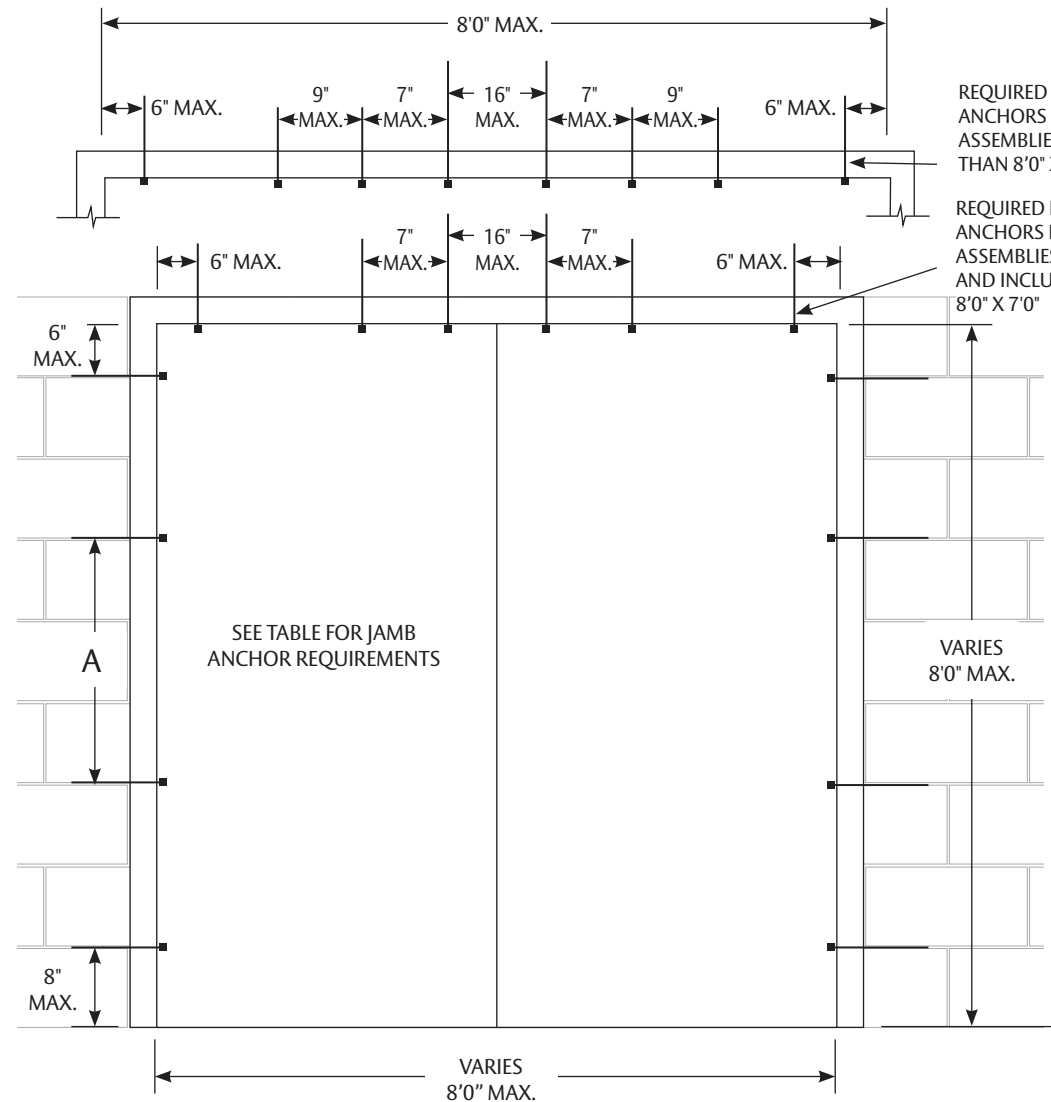
SHEET NO. OF

LOCATION

StormPro 361 Assembly Anchoring - Pairs

Head Anchoring Method – Welded Pipe Spacer with 3/8" Powers Lok Bolt AS

Jamb Anchoring Method – 12 Ga. Masonry T Anchors



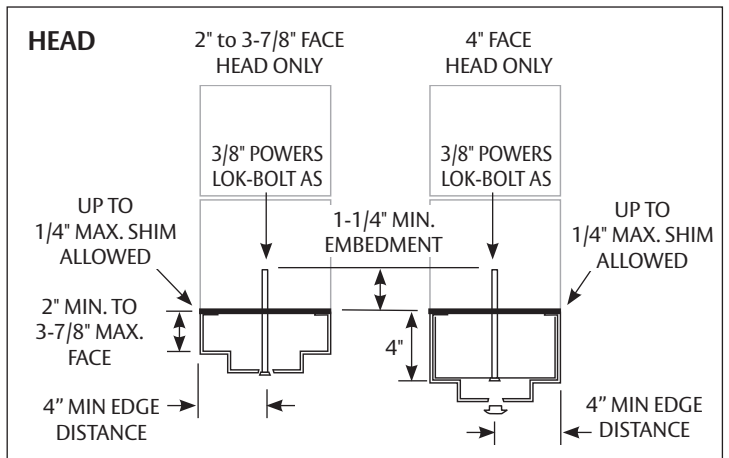
REQUIRED HEAD ANCHORS FOR ASSEMBLIES GREATER THAN 8'0" X 7'0"

REQUIRED HEAD ANCHORS FOR ASSEMBLIES UP TO AND INCLUDING 8'0" X 7'0"

SEE TABLE FOR JAMB ANCHOR REQUIREMENTS

VARIES 8'0" MAX.

VARIES 8'0" MAX.

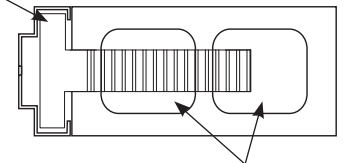


JAMB

2" FACE

12 GA. MASONRY T ANCHOR

THROAT OF FRAME JAMB MUST BE FILLED WITH MIN. 3500 PSI GROUT



NOTE: Drill anchor as needed for rebar. 3500 PSI grout. Do not anchor.

FILLED WITH MIN. 3500 PSI GROUT

OPENING SIZE	"A" DIMENSION	MIN. # OF JAMB ANCHORS
UP TO AND INCLUDING 6070	24" MAX. ON CENTER	4
OVER 6070 AND UP TO AND INCLUDING 7070	23" MAX. ON CENTER	4
OVER 7070 AND UP TO AND INCLUDING 8070	20" MAX. ON CENTER	5
OVER 8070 AND UP TO AND INCLUDING 8080	20" MAX. ON CENTER	6

Jamb anchor locations may vary provided that the spacing on either side of each jamb anchor does not exceed dimension "A" in table above, distance from bottom corners does not exceed 8", and distance from top corners does not exceed 6". Head anchors shall be provided as shown. Anchors may have up to 1/4" maximum load bearing shim.

Signed and sealed anchor calculations available upon request.



ASSA ABLOY, the global leader in door opening solutions

JOB NO.

PROJECT

LOCATION

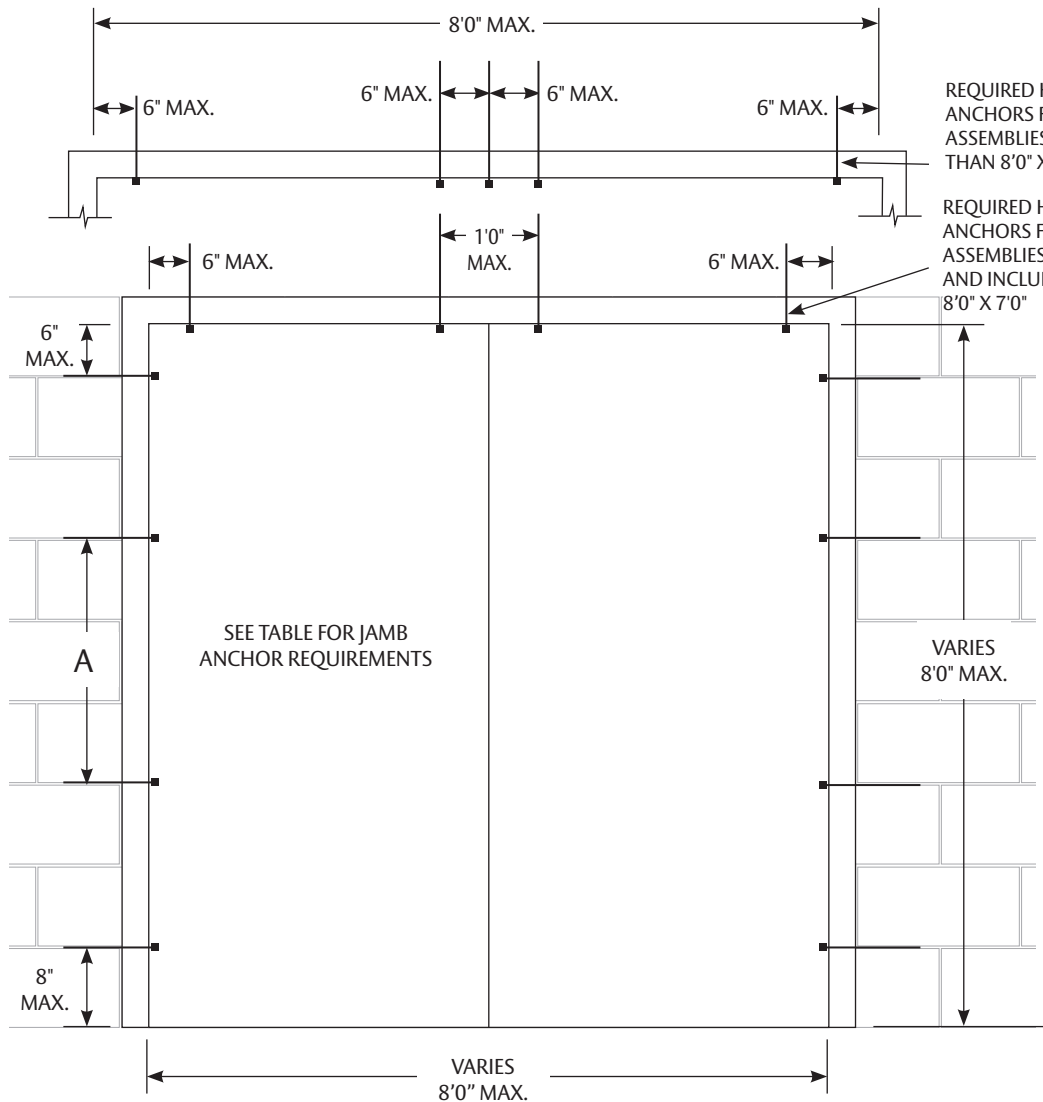
SHEET NO.

OF

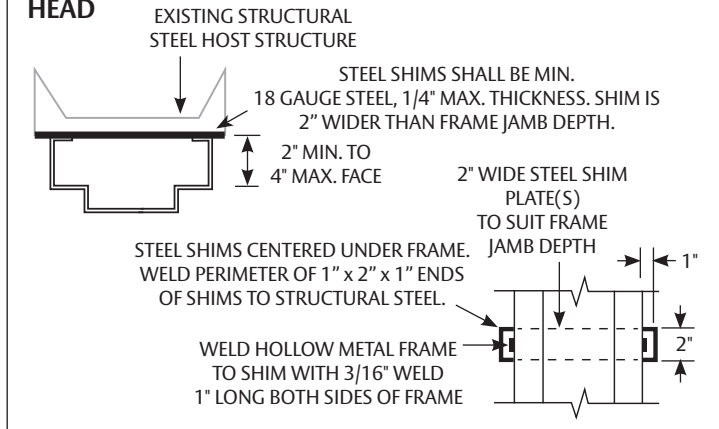
StormPro 361 Assembly Anchoring - Pairs

Head Anchoring Method – Welded to the Building Structure

Jamb Anchoring Method – 12 Ga. Masonry T Anchors

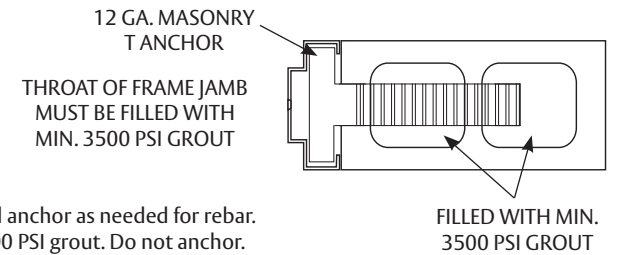


HEAD



JAMB

2" FACE



OPENING SIZE	"A" DIMENSION	MIN. # OF JAMB ANCHORS
UP TO AND INCLUDING 6070	24" MAX. ON CENTER	4
OVER 6070 AND UP TO AND INCLUDING 7070	23" MAX. ON CENTER	4
OVER 7070 AND UP TO AND INCLUDING 8070	20" MAX. ON CENTER	5
OVER 8070 AND UP TO AND INCLUDING 8080	20" MAX. ON CENTER	6

Jamb anchor locations may vary provided that the spacing on either side of each jamb anchor does not exceed dimension "A" in table above, distance from bottom corners does not exceed 8", and distance from top corners does not exceed 6". Head anchors shall be provided as shown. Anchors may have up to 1/4" maximum load bearing shim.

Signed and sealed anchor calculations available upon request.



ASSA ABLOY, the global leader in door opening solutions

JOB NO.

PROJECT

LOCATION

SHEET NO. OF